

Base Stair Plan Overview

Scale: 1/8" = 1'

Horizontals (double 2x12 acq) are positioned for landing support.

Decking on horizontals is 2x4 acq

Railing is 2x4 acq (not shown)

Posts are 6x6 Greenhart, tapered at top to accept 2x4 hand rail.

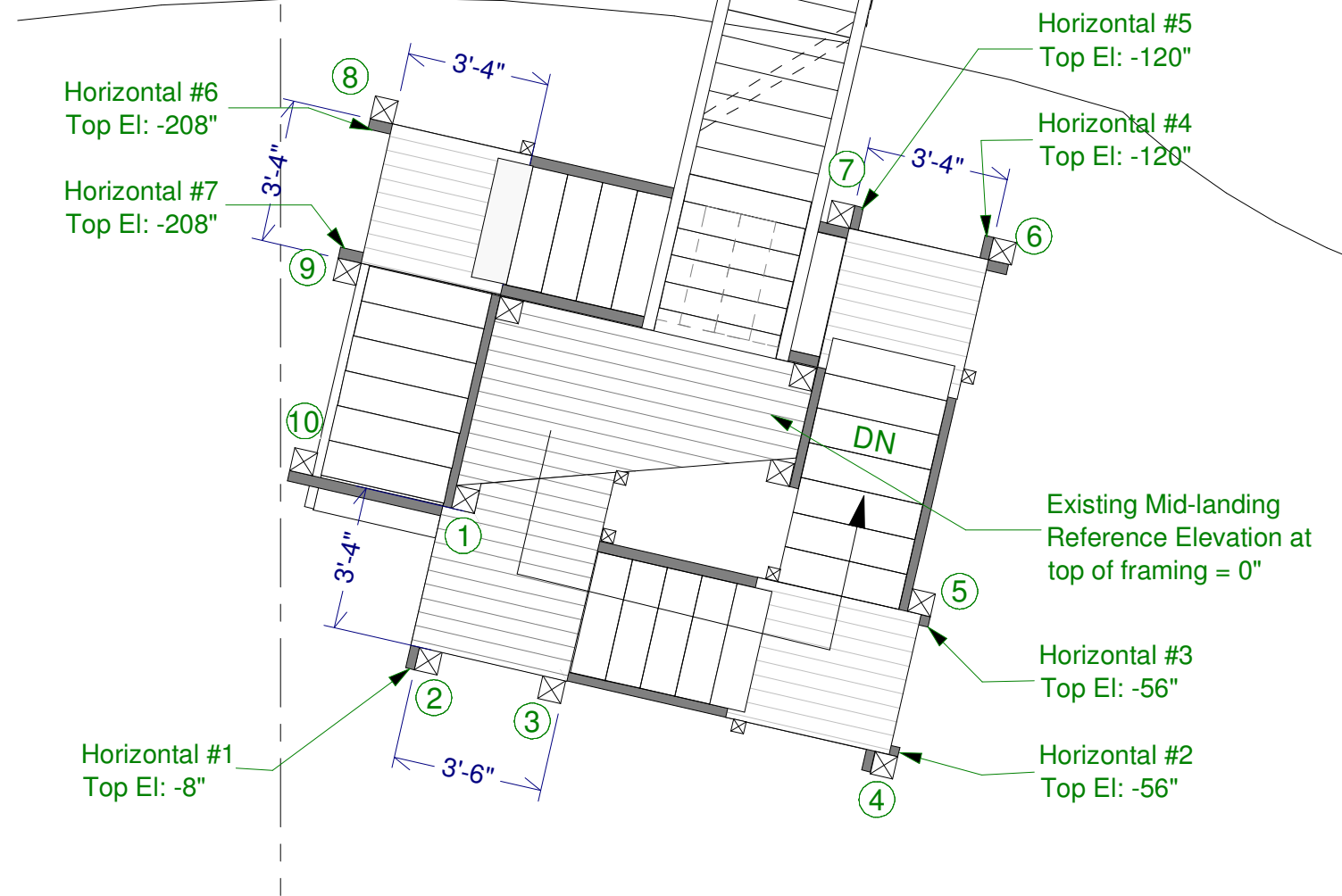
Treads are 2x10 acq. Rise:Run = 8":10"

Stringers are double 2x12 acq (one sawtooth, one solid)

Horizontals are doubled together using (4) 10D nails at 12" oc.

Horizontal to post connection is using (2) 1/2" machine bolts.

Stringers are doubled together using (3) 10D nails at each tread notch.

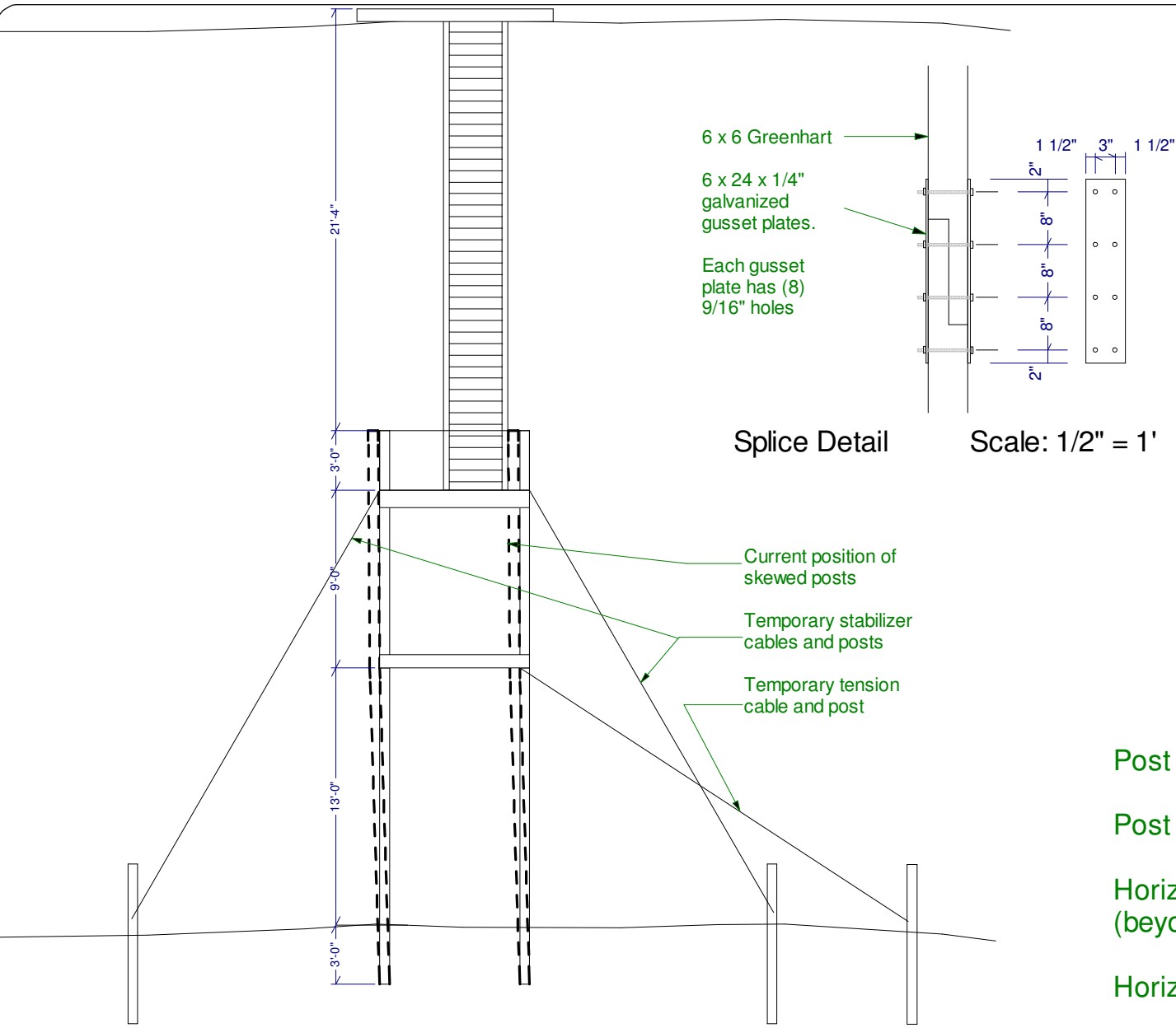


Base Stair Plan Detail

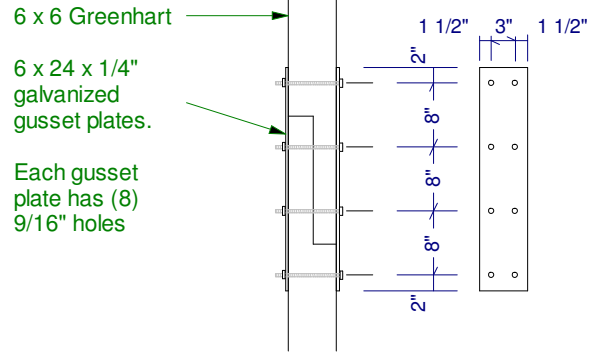
Scale: 1/4" = 1'

Gershman Residence 102 Surfside Ave. Montauk, NY	Revisions 5/6/07 Bch Str 2 6/26/09 Deck Dtls 8/30/09 S Deck 9/30/09 Railing 7/1/10 Bch Str 3 4/20/12 BBQ rev 8/20/12 Prv rev 12/29/12 Bch Str 3 2/16/13 Bch Str 4 4/19/13 Spiral Dtls	Webb Builders, Inc. Design, Drafting, Engineering, General Contracting 516 - 982 - 8502		Date	4/19/13	Scale	DW	Sheet	14
		Copyright (c) 2013. All rights reserved.							

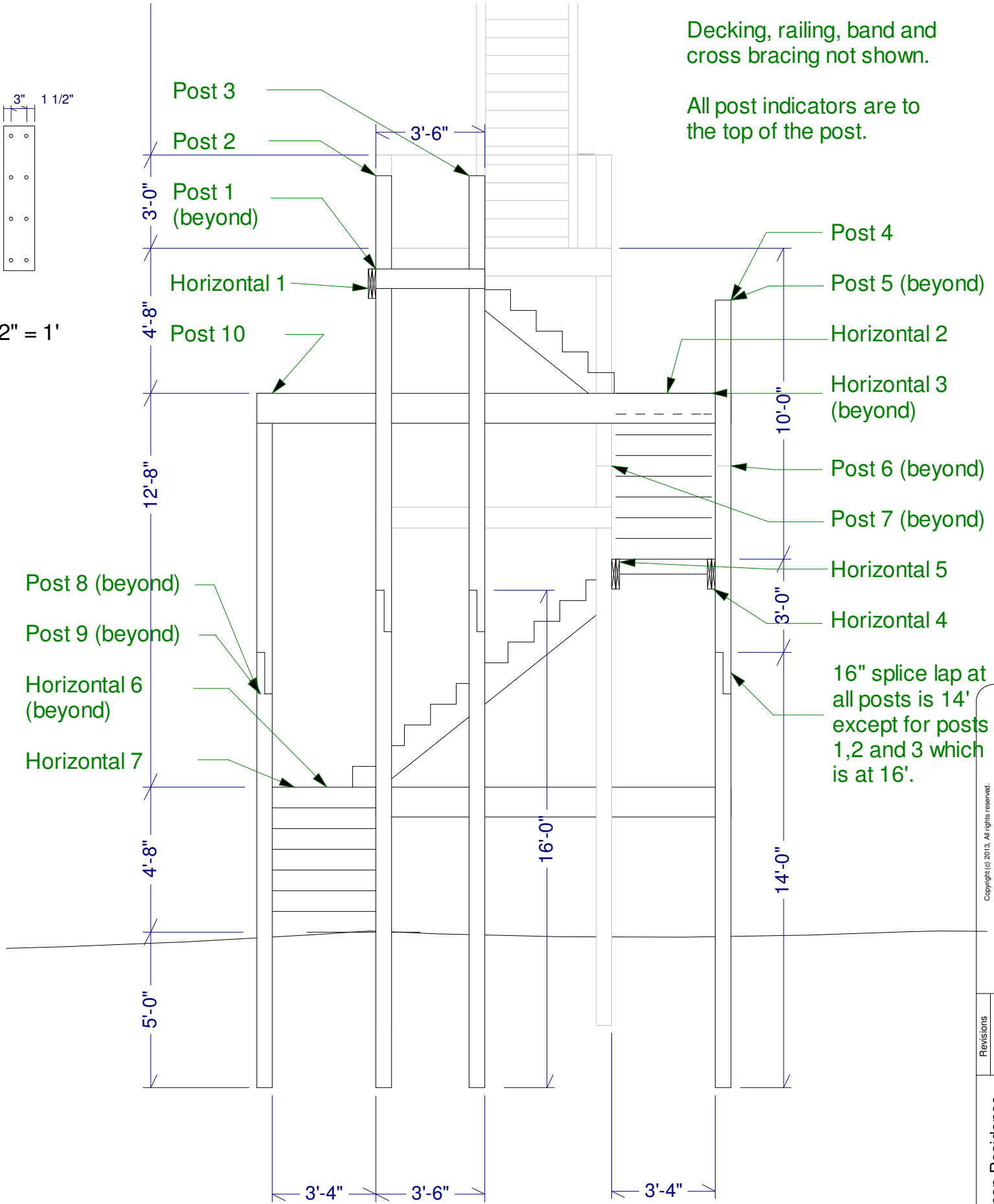
Site Plans



Stabilization Elevation Scale: 1/8" = 1'



Splice Detail Scale: 1/2" = 1'



Framing Elevation Scale: 1/4" = 1'

- Step 1: Install temporary stabilizer posts and connect existing, possibly extended, cables so as to stabilize pier at current position.
- Step 2: Install temporary tension post and attach cable from gusset plate height down to "come along" to post.
- Step 3: Install northern outer stair posts (#6, 7, 8 and 9) and prepare for post-to-post connections with double 2x12 horizontals (as per final drawings).
- Step 4: Loosen west stabilizer cable and apply tension with come-along to tension cable until posts are plumb.
- Step 5: Attach horizontals (#5, 6 and 7) from new posts to existing northern posts.
- Step 6: Re-install cross members to existing northern posts.
- Step 7: Remove south-west existing post (#1), and replace it with new 6x6 post (possibly 2-piece with gussets).
- Step 8: Re-install cross members to the existing and the new southern post.
- Step 9: Complete post installation and tie together with horizontals.
- Step 10: Remove tension and stabilizer posts and all cables.
- Step 11: Complete platform decking, stringers and railings.

16" splice lap at all posts is 14' except for posts 1,2 and 3 which is at 16'.

Copyright (c) 2013. All rights reserved.

Webb Builders, Inc.
 Design, Drafting, Engineering,
 General Contracting
 516 - 982 - 8502

Revisions	Date	Drawn by	Scale	Sheet
5/6/07 Bch Str 2	4/19/13	DW		15
6/26/09 Deck Dtls				
8/30/09 S Deck				
9/30/09 Railing				
7/1/10 Bch Str 3				
4/20/12 BBQ rev				
8/20/12 Prv rev				
12/29/12 Bch Str 3				
2/16/13 Bch Str 4				
4/19/13 Spiral Dtls				

Gershman Residence
 102 Surfside Ave. Montauk, NY

Site Plans