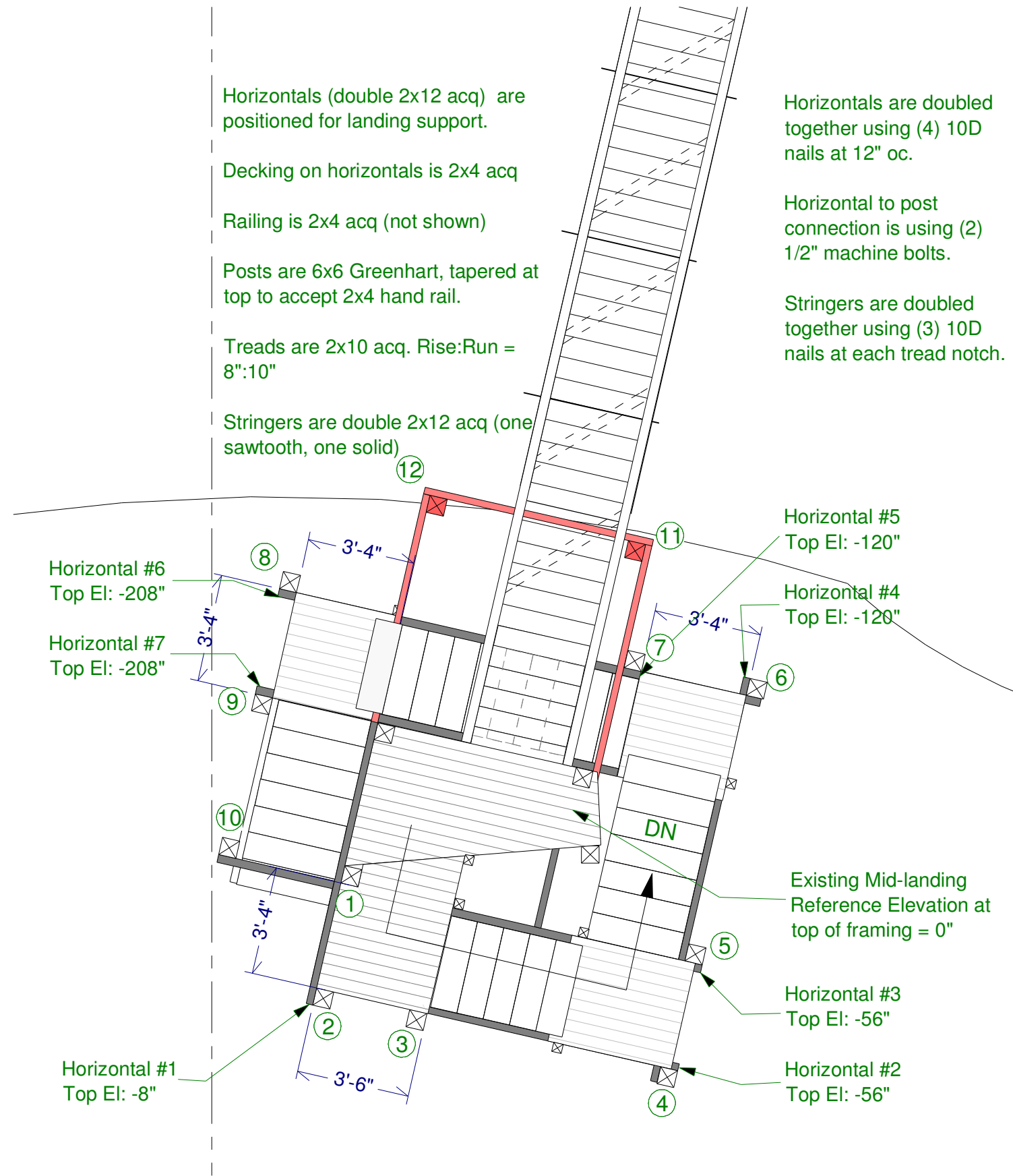


Base Stair Plan Overview

Scale: 1/8" = 1'

- Horizontals (double 2x12 acq) are positioned for landing support.
- Decking on horizontals is 2x4 acq
- Railing is 2x4 acq (not shown)
- Posts are 6x6 Greenhart, tapered at top to accept 2x4 hand rail.
- Treads are 2x10 acq. Rise:Run = 8":10"
- Stringers are double 2x12 acq (one sawtooth, one solid)

- Horizontals are doubled together using (4) 10D nails at 12" oc.
- Horizontal to post connection is using (2) 1/2" machine bolts.
- Stringers are doubled together using (3) 10D nails at each tread notch.

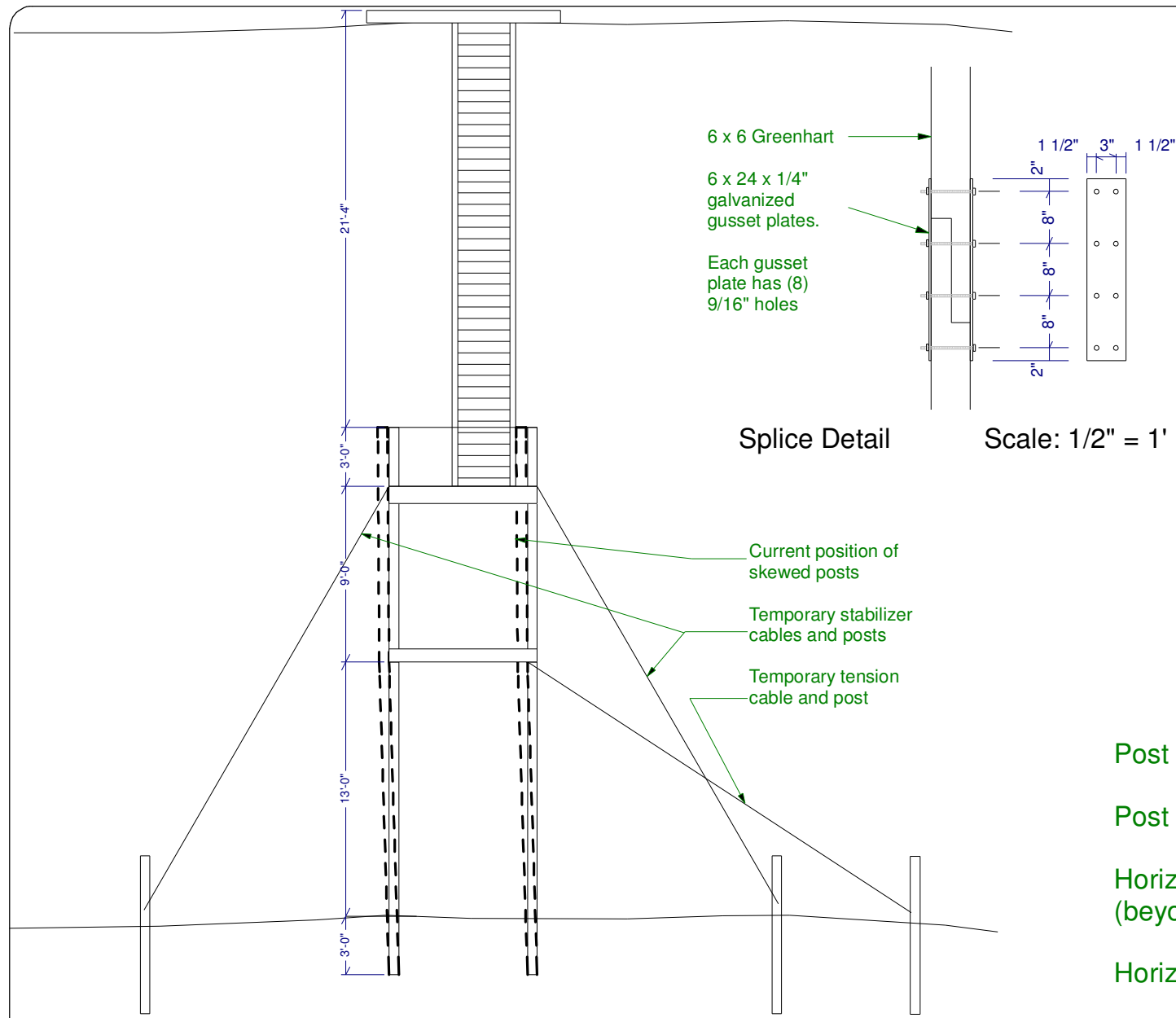


Base Stair Plan Detail

Scale: 1/4" = 1'

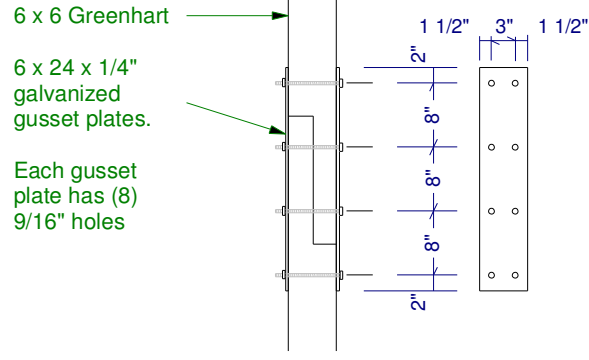
Gershman Residence 102 Surfside Ave. Montauk, NY	Webb Builders, Inc. Design, Drafting, Engineering, General Contracting 516 - 982 - 8502			
	Revisions 5/6/07 Bch Str 2 6/26/09 Deck Dtls 8/30/09 S Deck 9/30/09 Railing 7/1/10 Bch Str 3 4/20/12 BBQ rev 8/20/12 Pvr rev 12/29/12 Bch Str 3 2/16/13 Bch Str 4 4/19/13 Spiral Dtls 8/12/14 Stabilize	Date 4/19/13	Drawn by DW	Scale Scale

Site Plans



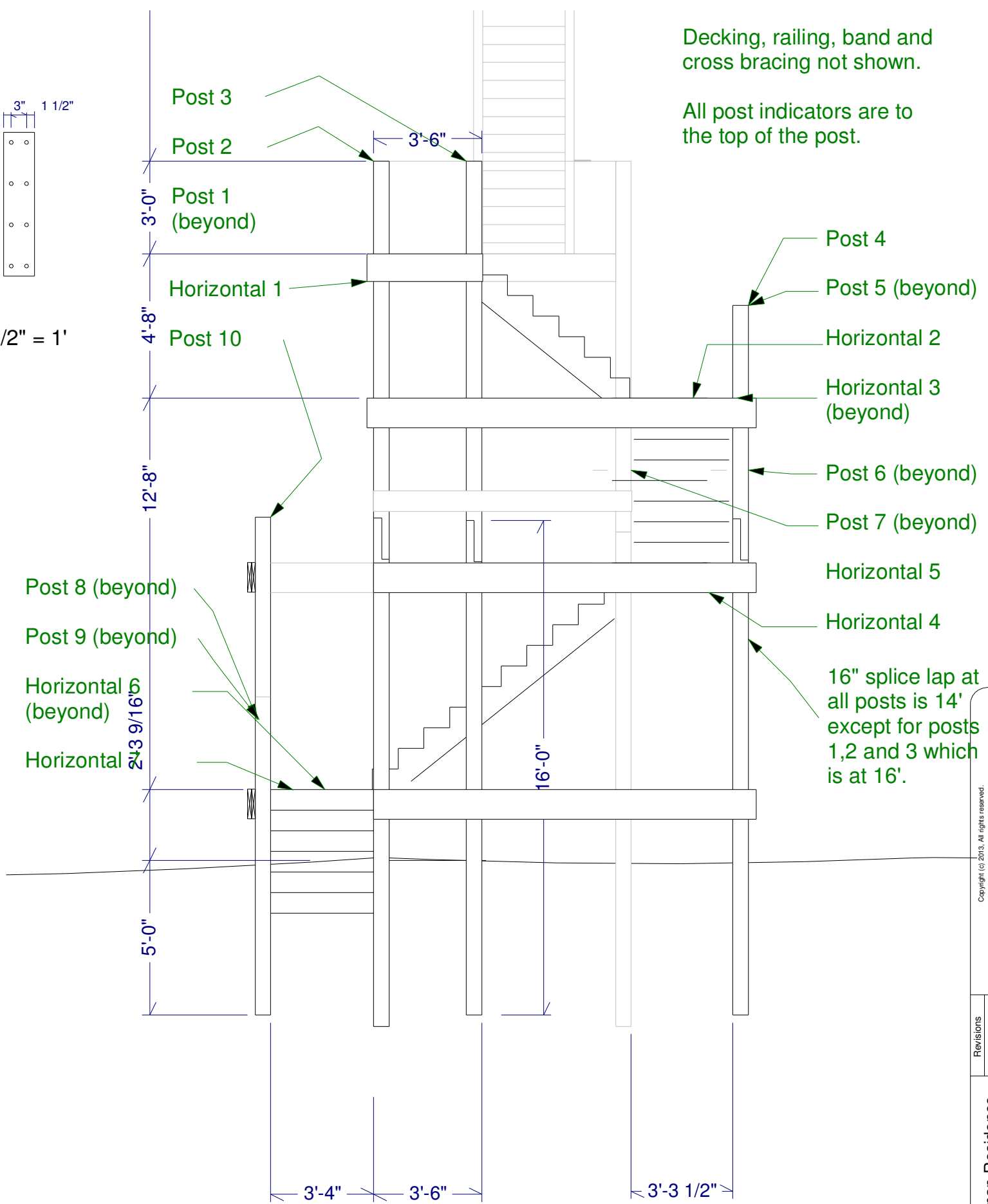
Stabilization Elevation

Scale: 1/8" = 1'



Splice Detail

Scale: 1/2" = 1'



Elevation 1

Scale: 1/4" = 1'

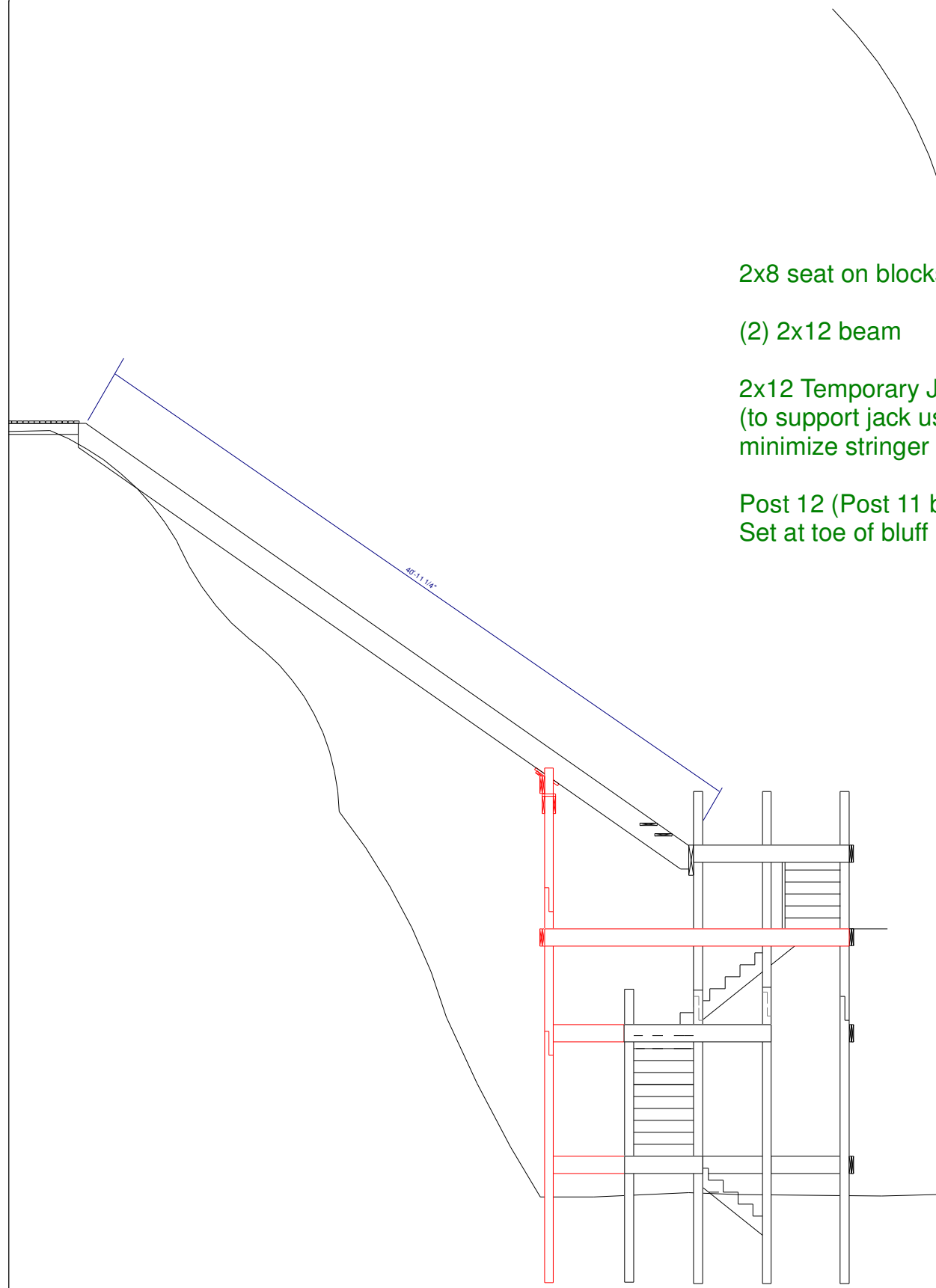
Decking, railing, band and cross bracing not shown.

All post indicators are to the top of the post.

- Step 1: Install temporary stabilizer posts and connect existing, possibly extended, cables so as to stabilize pier at current position.
- Step 2: Install temporary tension post and attach cable from gusset plate height down to "come along" to post.
- Step 3: Install northern outer stair posts (#6, 7, 8 and 9) and prepare for post-to-post connections with double 2x12 horizontals (as per final drawings).
- Step 4: Loosen west stabilizer cable and apply tension with come-along to tension cable until posts are plumb.
- Step 5: Attach horizontals (#5, 6 and 7) from new posts to existing northern posts.
- Step 6: Re-install cross members to existing northern posts.
- Step 7: Remove south-west existing post (#1), and replace it with new 6x6 post (possibly 2-piece with gussets).
- Step 8: Re-install cross members to the existing and the new southern post.
- Step 9: Complete post installation and tie together with horizontals.
- Step 10: Remove tension and stabilizer posts and all cables.
- Step 11: Complete platform decking, stringers and railings.

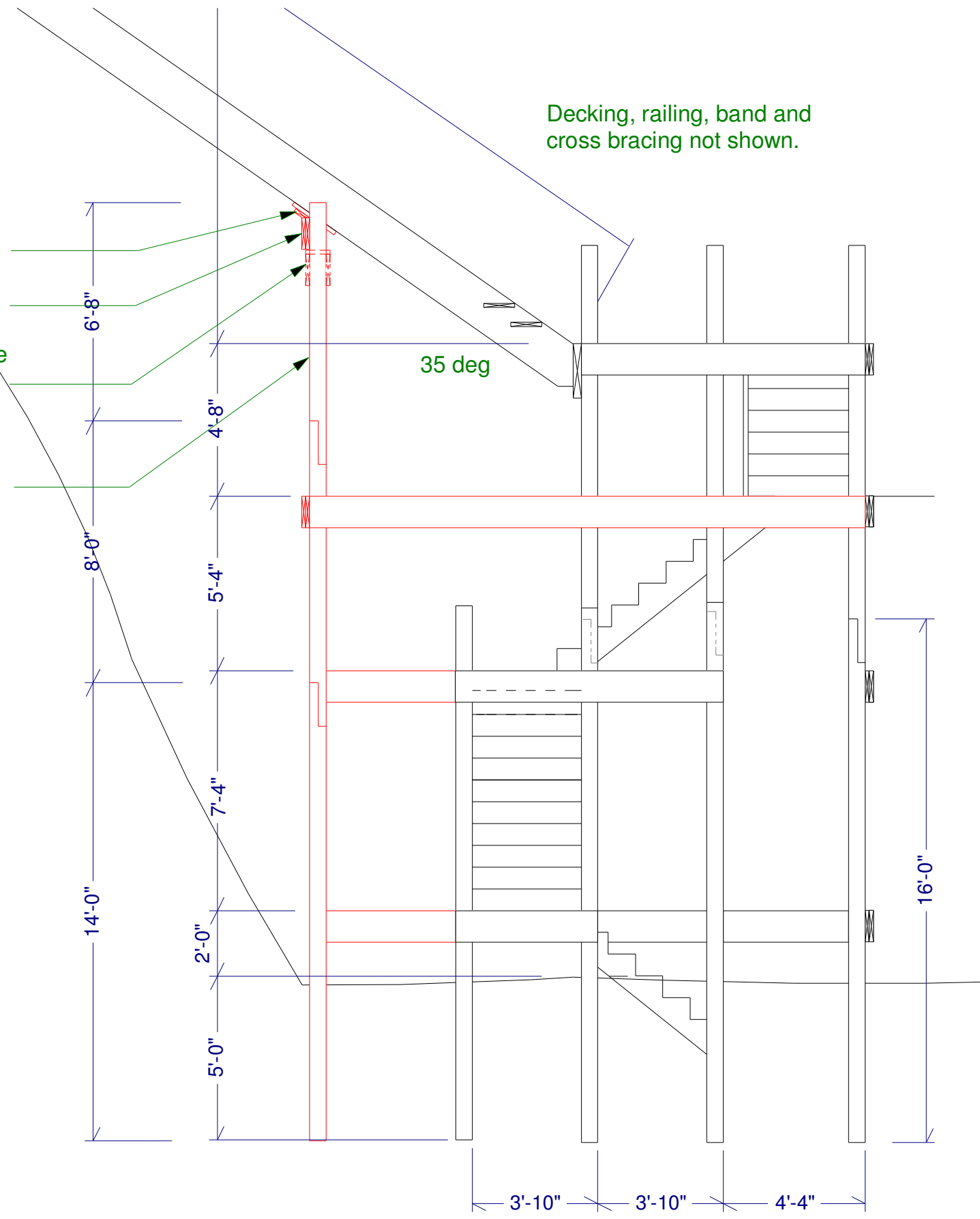
Gershman Residence 102 Surfside Ave. Montauk, NY	Revisions 5/6/07 Bch Str 2 6/26/09 Deck Dtls 8/30/09 S Deck 9/30/09 Railing 7/1/10 Bch Str 3 4/20/12 BBQ rev 8/20/12 Pvr rev 12/29/12 Bch Str 3 2/16/13 Bch Str 4 4/19/13 Spiral Dble 8/12/14 Stabilize	Webb Builders, Inc. Design, Drafting, Engineering, General Contracting 516 - 982 - 8502		Date	4/19/13	Scale	Sheet	15
		Drawn by	DW	Scale		Sheet	15	
Site Plans								

Copyright (c) 2013, All rights reserved.



Elevation 1 Overview

Scale: 1/8" = 1'



Decking, railing, band and cross bracing not shown.

Elevation 1 Detail

Scale: 1/4" = 1'

<p>Copyright (c) 2013, All rights reserved.</p> <p>Webb Builders, Inc. Design, Drafting, Engineering, General Contracting 516 - 982 - 8502</p>		Date	Drawn by	Scale	Sheet
<p>Revisions</p> <p>5/6/07 Bch Str 2 6/26/09 Deck Dtls 8/30/09 S Deck 9/30/09 Railing 7/1/10 Bch Str 3 4/20/12 BBQ rev 8/20/12 Prv rev 12/29/12 Bch Str 3 2/16/13 Bch Str 4 4/19/13 Spiral Dtls 8/12/14 Stabilize</p>		4/19/13	DW		16
<p>Gershman Residence 102 Surfside Ave. Montauk, NY</p>					
<p>Site Plans</p>					
<p>Stringer Stabilization</p>					