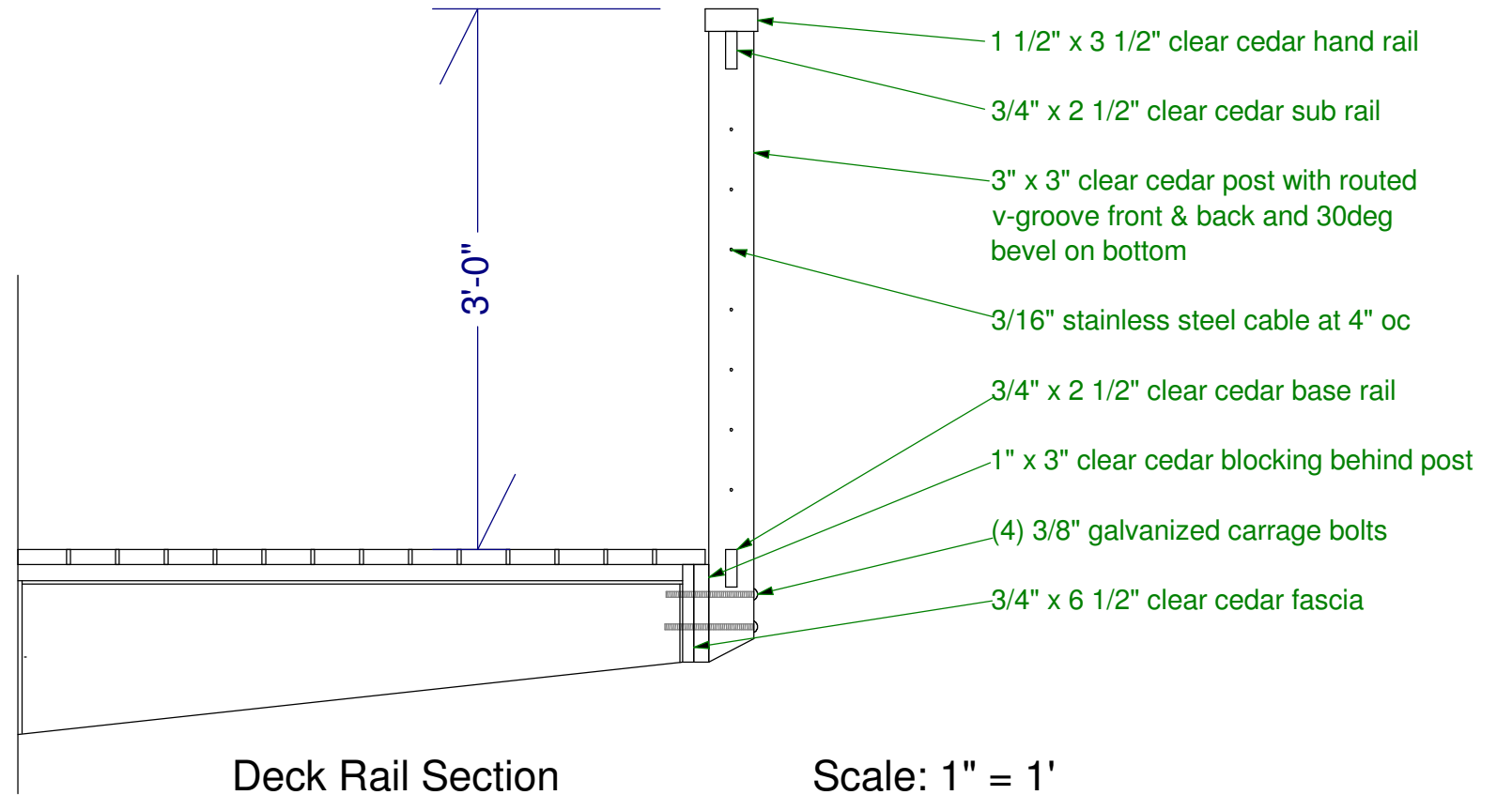


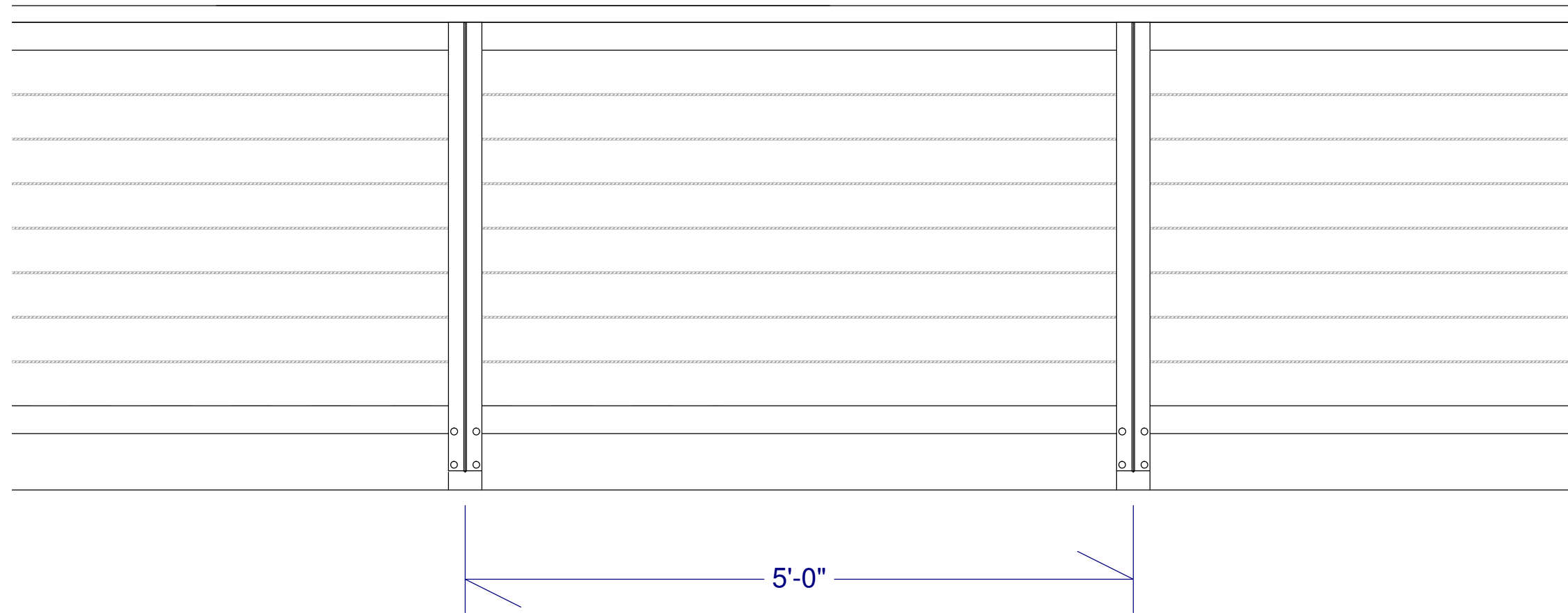
Post Detail

Scale: 3" = 1'



Deck Rail Section

Scale: 1" = 1'



Deck Rail Elevation

Scale: 1" = 1'

Revisions 6/26/09 Deck Dts 8/30/09 S Deck 9/30/09 Railing	Copyright (c) 2007. All rights reserved. <b>David A. Webb, Inc.</b> Design, Drafting, Engineering, General Contracting 516 - 982 - 8502			Date	Drawn by	Scale	Sheet
	5/8/07	DW		7			
Gershman Residence 102 Surfside Ave. Montauk, NY		Site Plans					