

Details:

- Cabinet is 3/4 birch ply
- 2" beaded vertical stile
- 1 3/8" double beaded horizontal stile
- Stiles are poplar
- Inset drawer faces
- Drawer faces are flat, edged 3/4" birch ply
- 2 top drawers have 7" faces
- 3 bottom drawers have 9" faces
- Counter is 3/4 ply with 1" table edge poplar nose
- Pulls to match those in MBRM closet
- 3/4" drawer box w/ 1/4" bottom
- Drawer slides are Blum bottom slides

Peter and Brooke Cohen
Watermill, NY

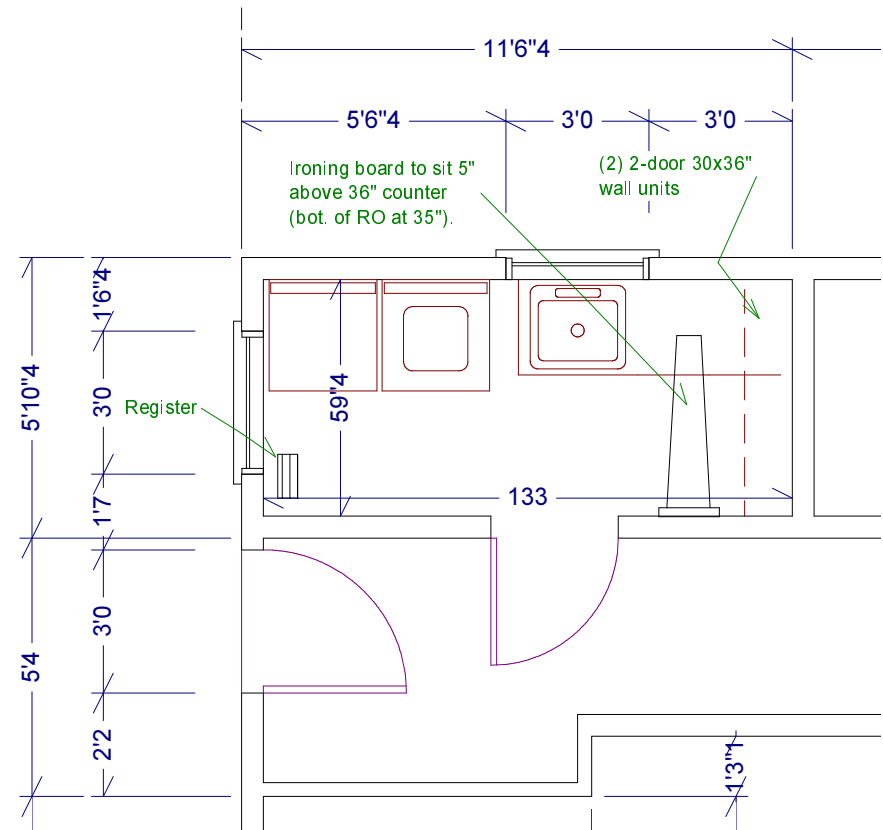
Cabinetry & Furniture

Copyright (c) 2003, All rights reserved.

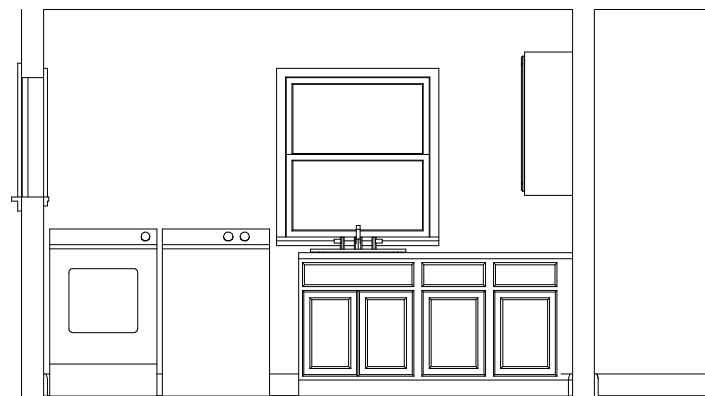
David A. Webb, Inc.

Design, Drafting, Engineering,
General Contracting
516 - 982 - 8502

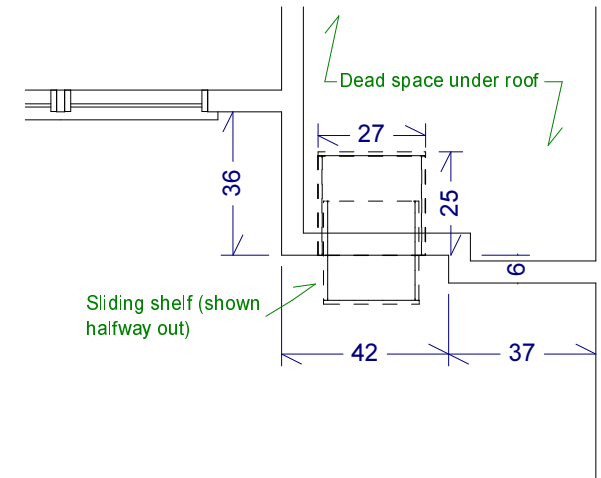
Date	Drawn by	Scale	Sheet
3/27/03	DW	1" = 1'	



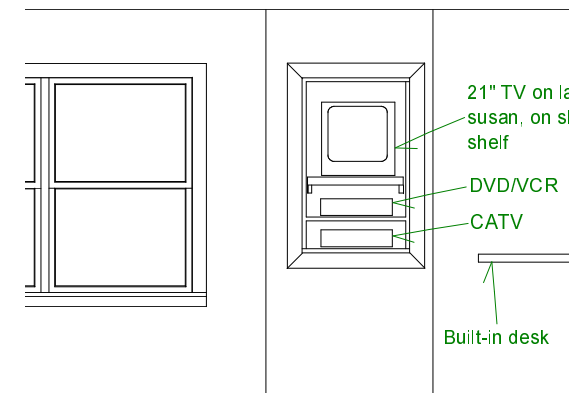
Laundry Room Plan



Laundry Room Elevation



Guest Bedroom plan



Guest Bedroom Elevation

Peter and Brooke Cohen
Watermill, NY

Cabinetry & Furniture

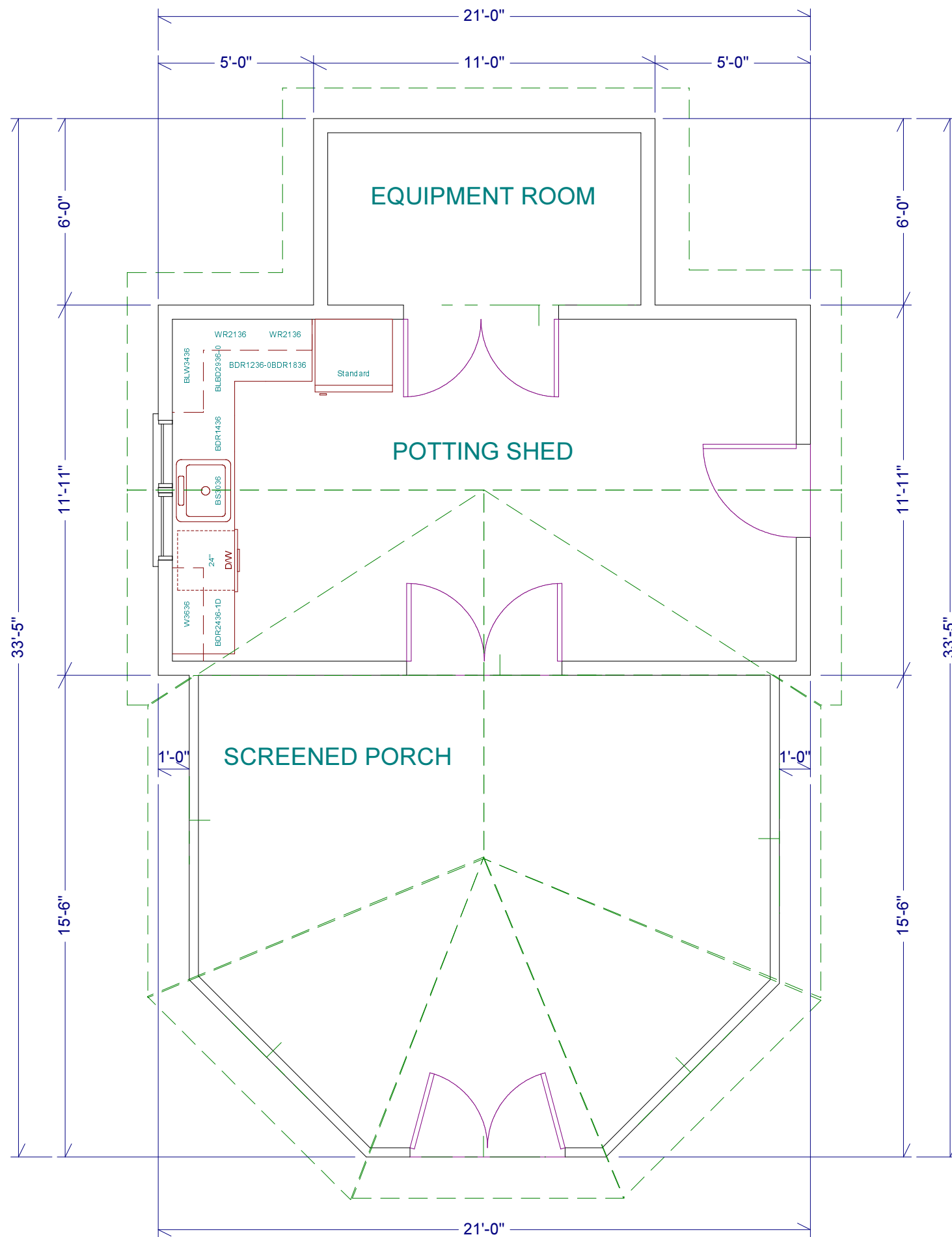
Copyright (c) 2003, All rights reserved.

David A. Webb, Inc.

Design, Drafting, Engineering,
General Contracting
516 - 982 - 8502

Laundry & Guest Bdrm cabinetry

Date	Drawn by	Scale	Sheet
3/27/03	DW	1/4" = 1'	



Structure design by John Laffey, Architect

Peter and Brooke Cohen
Watermill, NY

Cabinetry & Furniture

Potting shed cabinetry

Copyright (c) 2003, All rights reserved.

David A. Webb, Inc.

Design, Drafting, Engineering,
General Contracting
516 - 982 - 8502

Date	Drawn by	Scale	Sheet
3/27/03	DW		