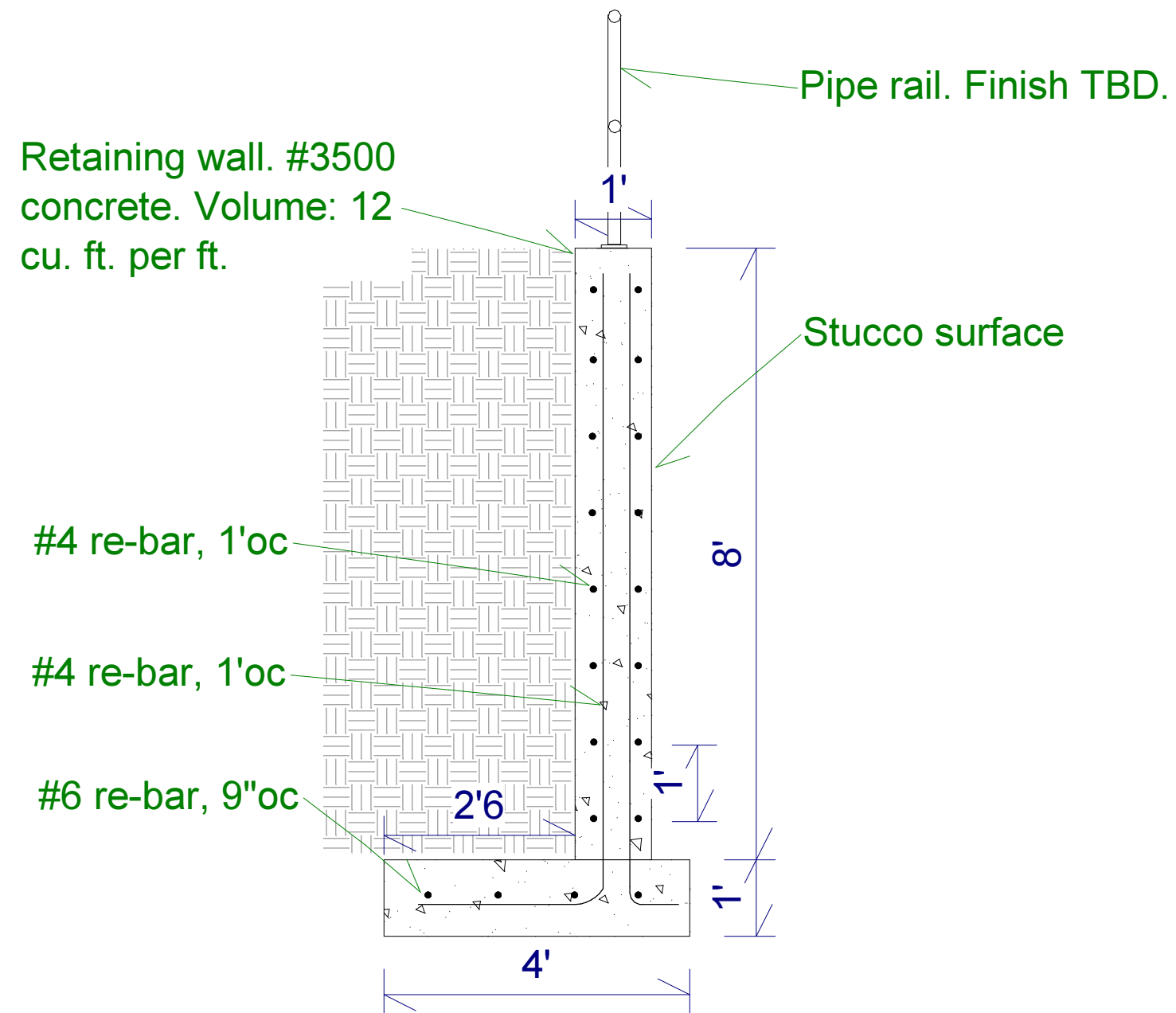


**Contents:**  
 1 - Site Plan  
 2 - Foundation/Retained Area Plan  
 3 - Section Detail  
 4 - Cross Section

**Dr. Decotiis Residence**  
 26 Folkstone Rd, East Hampton, NY  
  
 Driveway & Retaining Walls

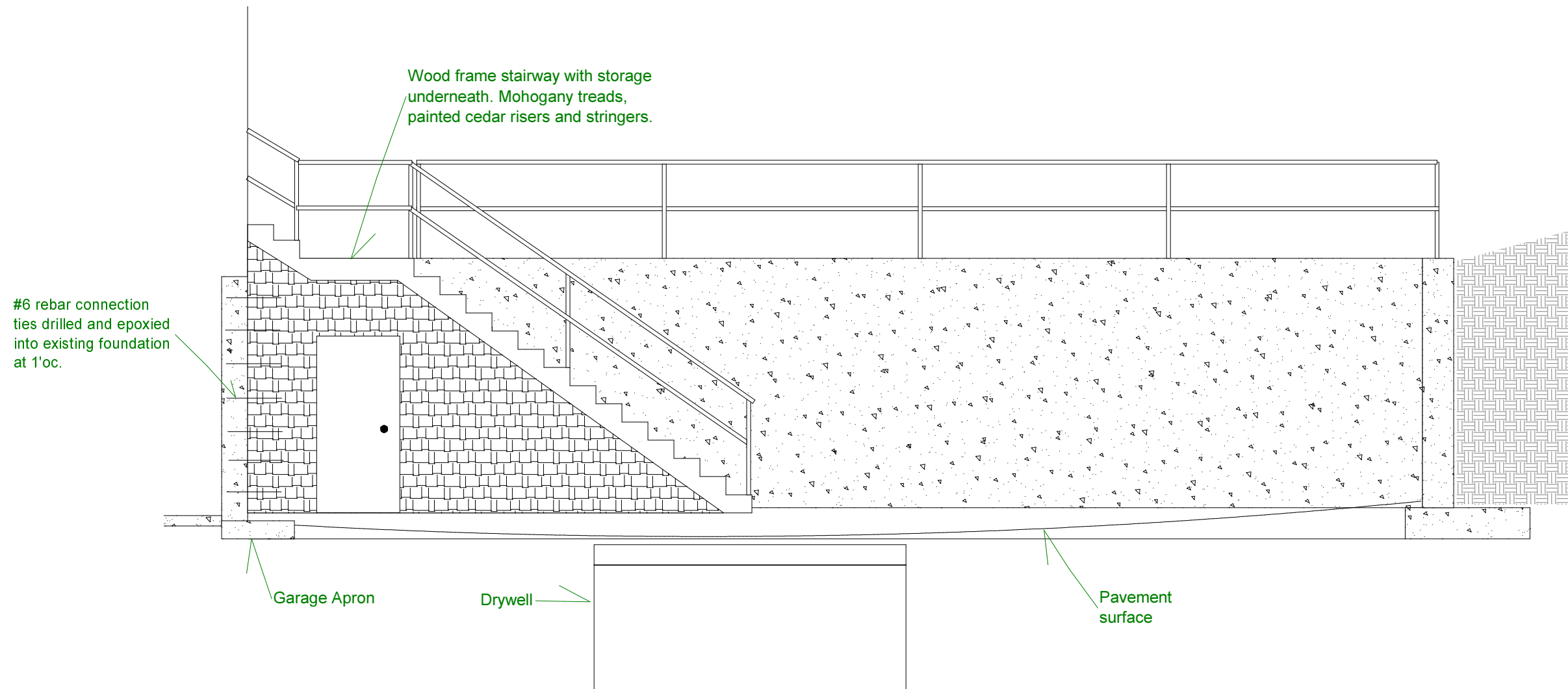
**David A. Webb, Inc.**  
 Architectural Drafting, Professional  
 Engineering, General Contracting  
 516 - 982 - 8502

Site Plan	Date	Drawn by	Scale	Sheet
	4/21/02	DW	1/16" = 1'	1

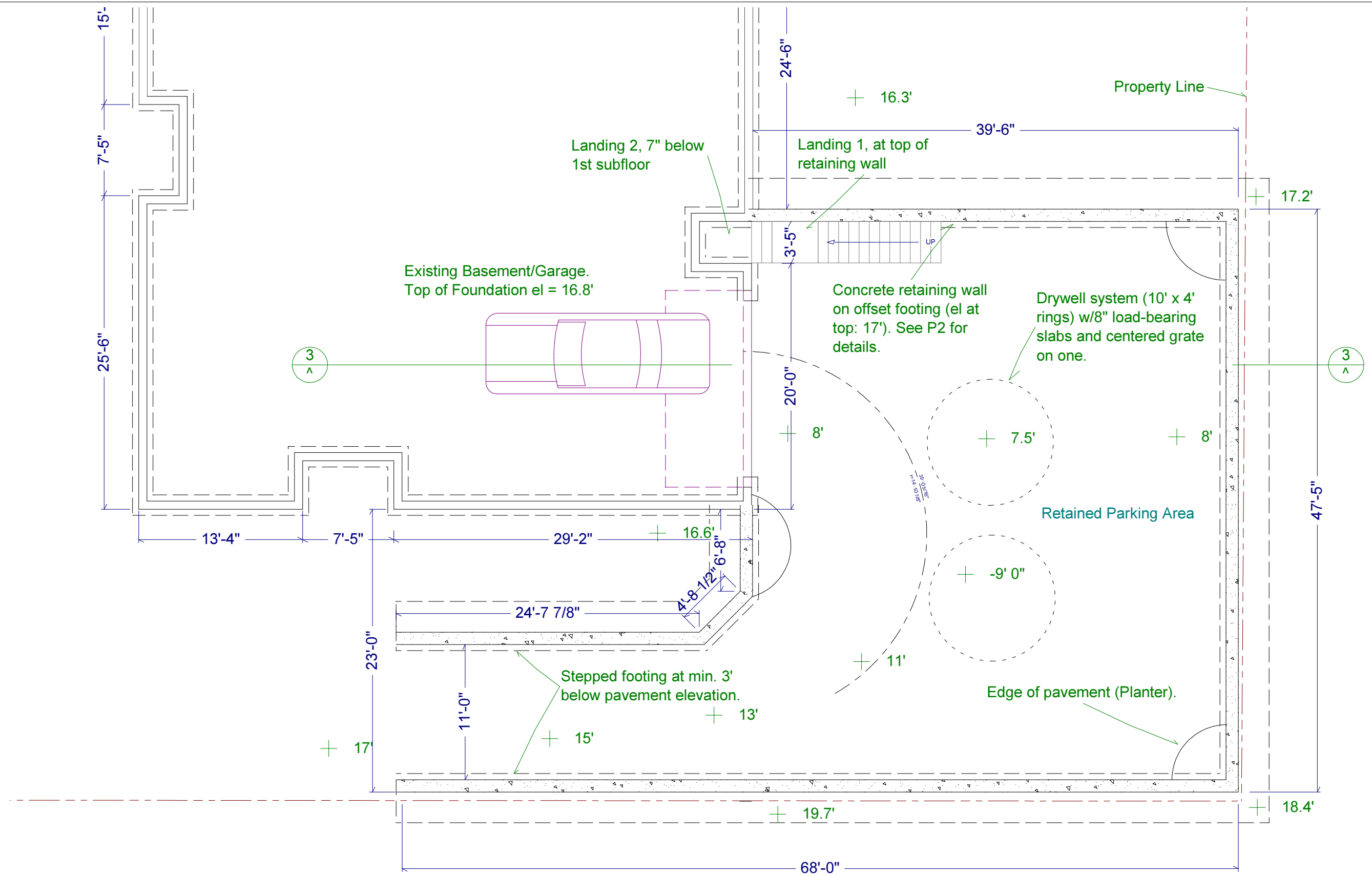


TYPICAL SECTION

<b>Dr. Decotiis Residence</b> 26 Folkstone Rd, East Hampton, NY  Driveway & Retaining Walls	<b>David A. Webb, Inc.</b> Architectural Drafting, Professional Engineering, General Contracting 516 - 982 - 8502			
	Date	Drawn by	Scale	Sheet
Sections	4/21/02	DW	1/2" = 1'	3



<b>Dr. Decotiis Residence</b> 26 Folkstone Rd, East Hampton, NY  <b>Driveway &amp; Retaining Walls</b>	<b>David A. Webb, Inc.</b> Architectural Drafting, Professional Engineering, General Contracting 516 - 982 - 8502			
	Date	Drawn by	Scale	Sheet
Cross Section	4/21/02	DW	1/4' = 1'	4



<b>Dr. Decotiis Residence</b> 26 Folkstone Rd, East Hampton, NY		<b>David A. Webb, Inc.</b> Architectural Drafting, Professional Engineering, General Contracting 516 - 982 - 8502			
Driveway & Retaining Walls		Date	Drawn by	Scale	Sheet
Foundation/Retained Area Plan		4/21/02	DW	1/8" = 1'	2