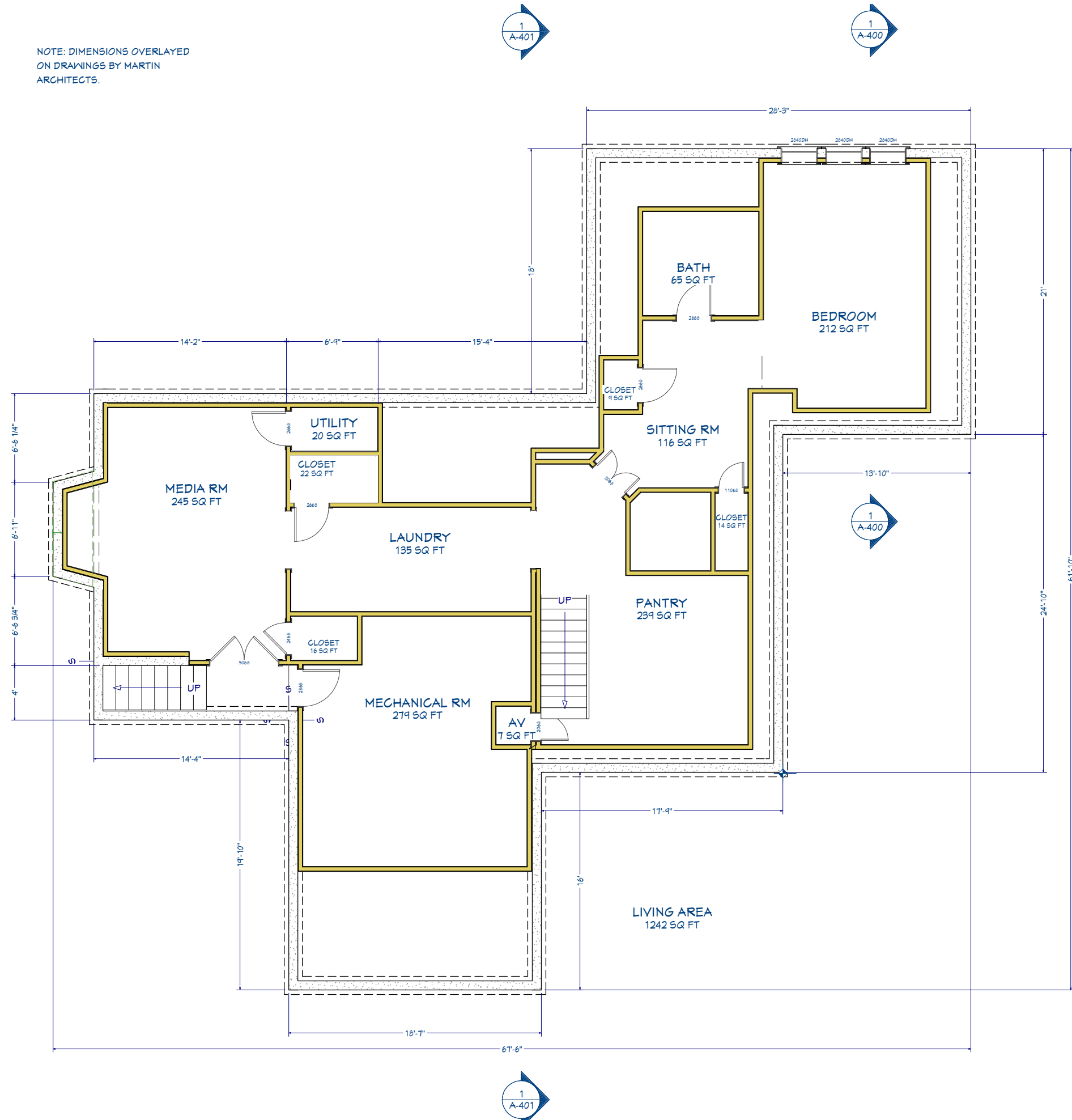


NOTE: DIMENSIONS OVERLAYED ON DRAWINGS BY MARTIN ARCHITECTS.



Foundation

Layout Page Table			
Label	Title	Description	Comments
A-100	Basement FI Plan		
A-101	First FI Plan		
A-102	Second FI Plan		
A-400	Collar Tie Details		
A-401	Library Cabinet Section Overview		
A-402	Library Cabinet Back Elevation		
A-403	Library Cabinet Front Elevation		
A-404	Kitchen Steps Foundation		
A-405	Kitchen Step Framing		
A-406	Master Deck Details		
A-407	BBQ Elevations		
A-408	Fireplaces		
A-409	Track & Pocket Details		

Recent Revision History

REV	DATE	DESCRIPTION
1.5	5/23/14	Steps, deck, library, stairs
1.6	5/25/14	Stairs section, library cabinet elev.
1.7	6/15/14	LIP Cab Kill, Lbs. Step Framing
1.8	6/20/14	Master Deck, Details, BBQ
1.9	6/25/14	Fireplaces
2.0	6/27/14	Lighting Changes, Track detail

Engineering: TBD
 Design: Webb Builders, Inc.
 516-482-9502

McSweeney Residence
 Shop Drawings

Title: Basement FI Plan

DATE:

4/6/2020

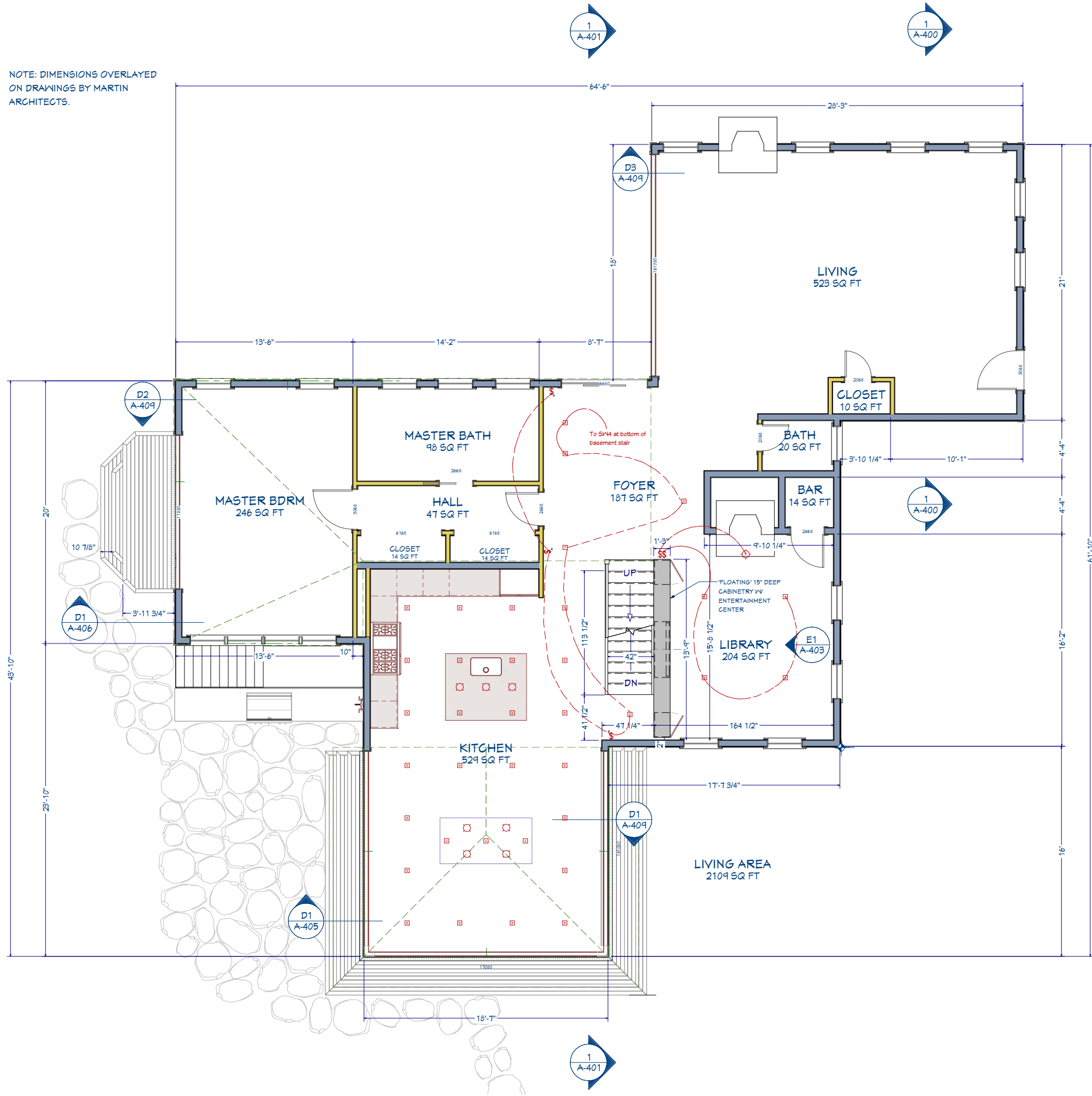
SCALE:

1/4" = 1'

SHEET:

A-100

NOTE: DIMENSIONS OVERLAYED ON DRAWINGS BY MARTIN ARCHITECTS.



1st Floor

All dimensions to be verified in field

Note: 100% scale when printed on ARCH D. 50% scale on ARCH B.

REV	DATE	DESCRIPTION
1.5	5/23/19	Stairs, decks, library, stairs
1.6	5/25/19	Stairs section, library cabinet elev.
1.7	6/15/19	Lib Cab, KIL, Lbs, Stair Framing
1.8	6/20/19	Master Deck, Details, BBR
1.9	6/25/19	Fireplaces
2.0	6/27/19	Lighting Changes, Track detail

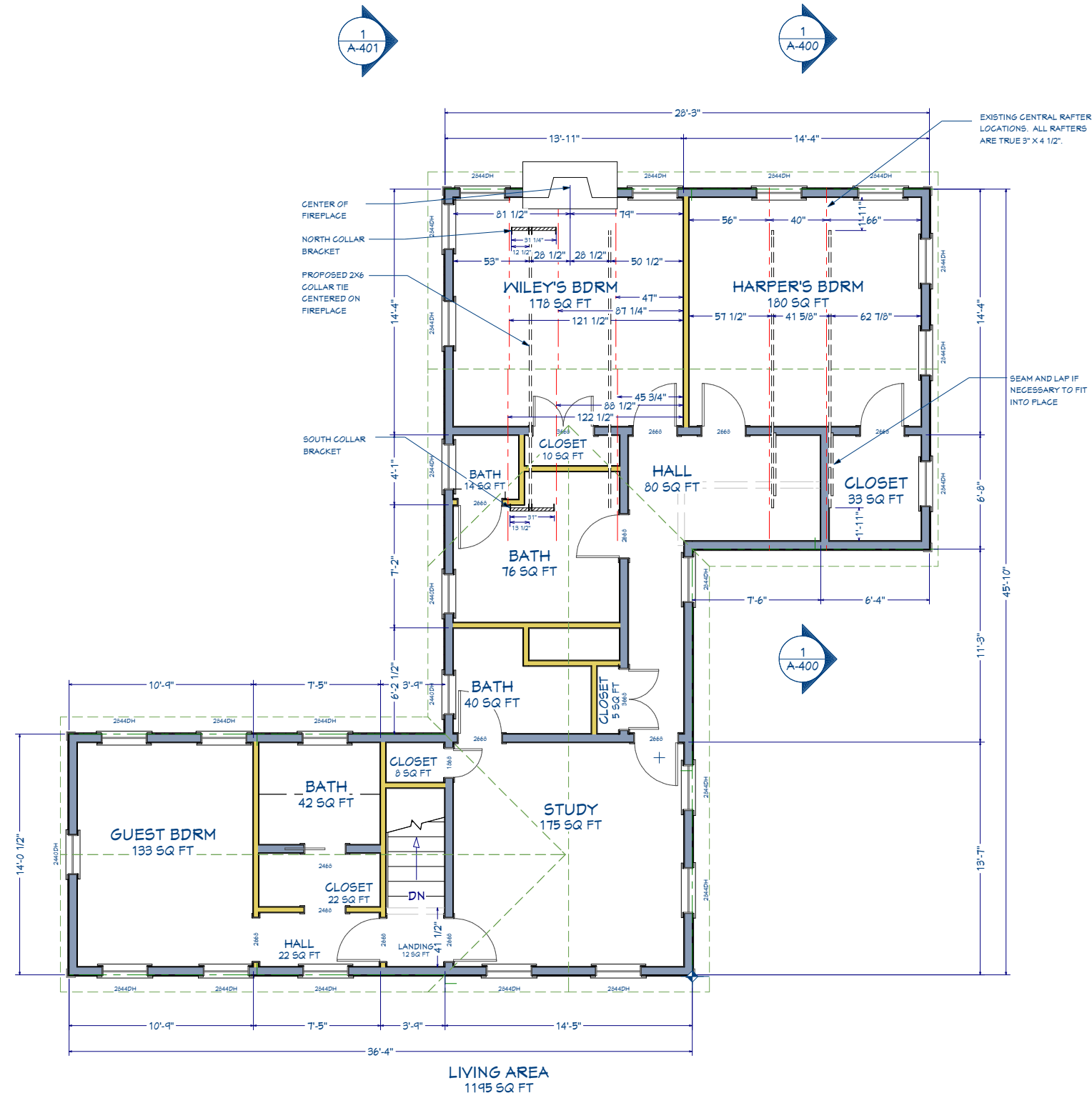
Engineering: **TBD**
 Design: **Webb Builders, Inc.**
 516-482-9502

McSweeney Residence
Shop Drawings

Title: **First Fl Plan**

DATE: **4/6/2020**
 SCALE: **1/4" = 1'**
 SHEET: **A-101**

NOTE: DIMENSIONS OVERLAYED ON DRAWINGS BY MARTIN ARCHITECTS.



2nd Floor

REV	DATE	DESCRIPTION
1.5	5/23/19	Stairs, deck, library, stairs
1.6	5/25/19	Stairs section, library cabinet elev.
1.7	6/15/19	LIP Cab KILL, Lbs. Step Framing
1.8	6/20/19	Master Deck, Details, BBR
1.9	6/25/19	Fireplaces
2.0	6/27/19	Lighting Changes, Track detail

Engineering: TBD
 Design: Webb Builders, Inc.
 516-482-9502

McSweeney Residence
 Shop Drawings

Title: Second Fl Plan

DATE:

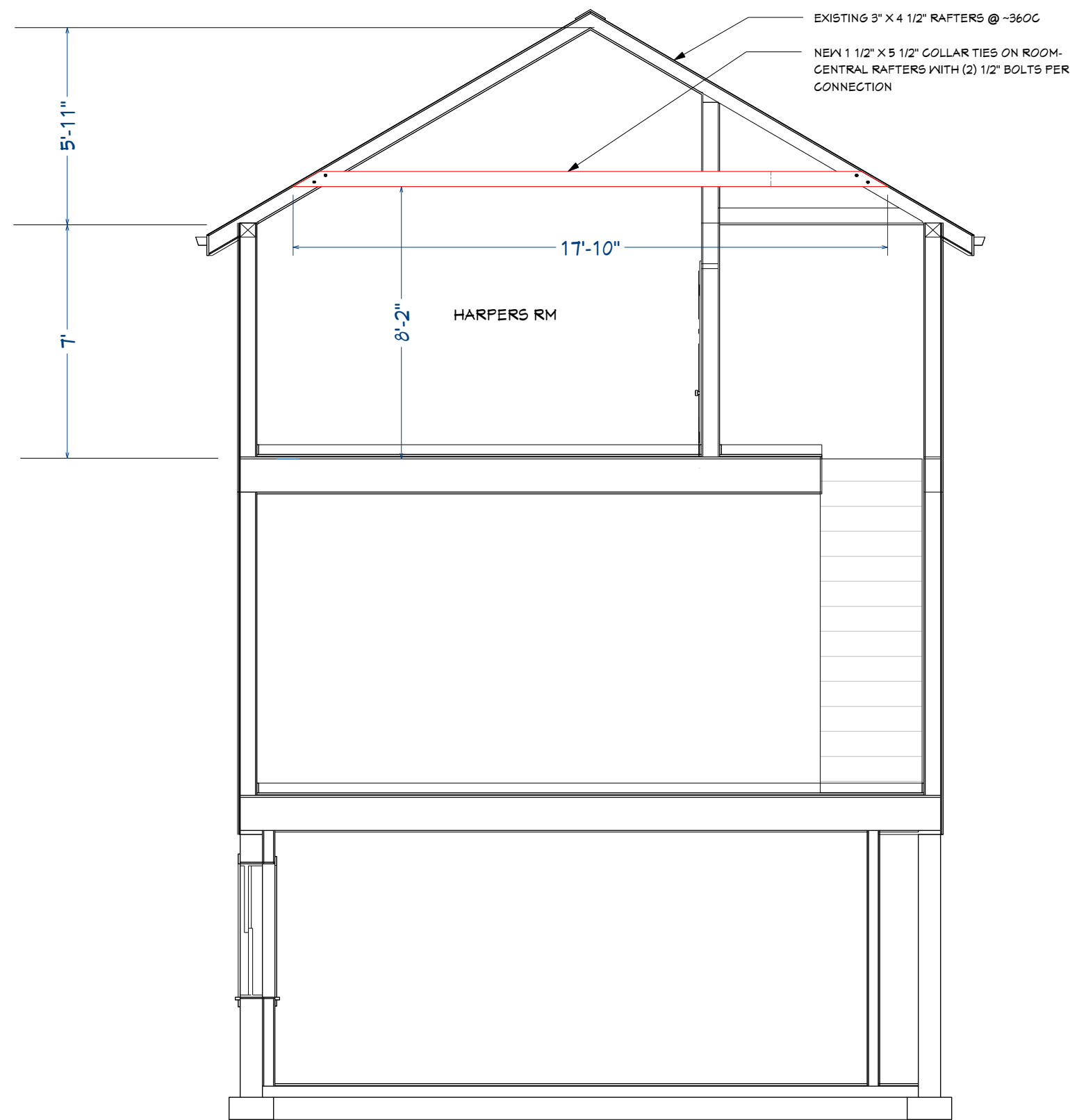
4/6/2020

SCALE:

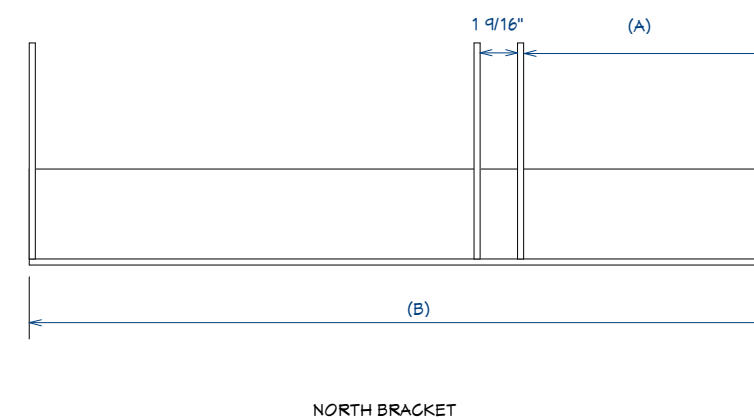
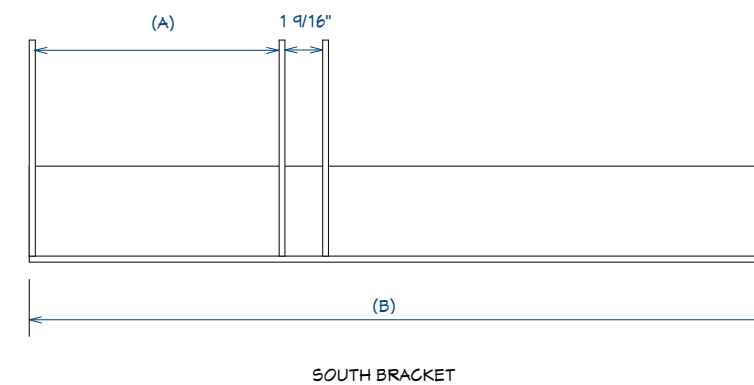
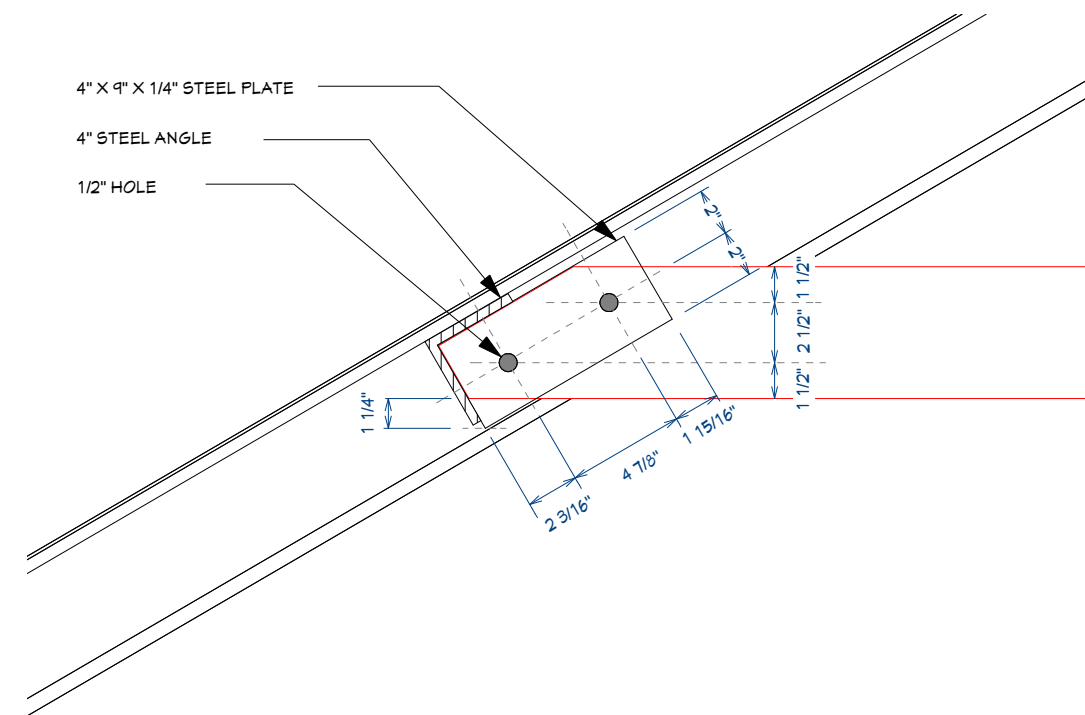
1/4" = 1'

SHEET:

A-102



Section 1 Scale: 1/2" = 1'



Western Collar Tie Brackets Scale: 3" = 1'

REV	DATE	DESCRIPTION
1.5	5/23/19	Stairs deck, library, stairs
1.6	5/25/19	Stairs section, library cabinet elev.
1.7	6/15/19	Lip Cab KILL, Stairs, Shop Framing
1.8	6/20/19	Master Deck, Details, BBR
1.9	6/25/19	Fireplaces
2.0	6/27/19	Lighting Changes, Track detail

Design: Webb Builders, Inc. 516-482-9502
 Engineering: TBD xxx-xxx-xxxx

McSweeney Residence Shop Drawings

Collar Tie Details

Title: DATE: 4/6/2020 SCALE: SHEET: A-400



Section 1 - Highlighting Library Cabinet

Scale: 1/2" = 1'

Recent Revision History

REV	DATE	DESCRIPTION
1.5	5/23/19	Stairs, deck, library, stairs
1.6	5/25/19	Stairs section, library cabinet elev.
1.7	6/15/19	Lib Cab, KIL, Lbs, Stair Framing
1.8	6/20/19	Master Deck, Details, BBR
1.9	6/25/19	Fireplaces
2.0	6/27/19	Lighting Changes, Track detail

Design:
Webb Builders, Inc.
 516-482-9502

Engineering:
TBD
 xxx-xxx-xxxx

McSweeney Residence
 Shop Drawings

Title:
Library Cabinet Section Overview

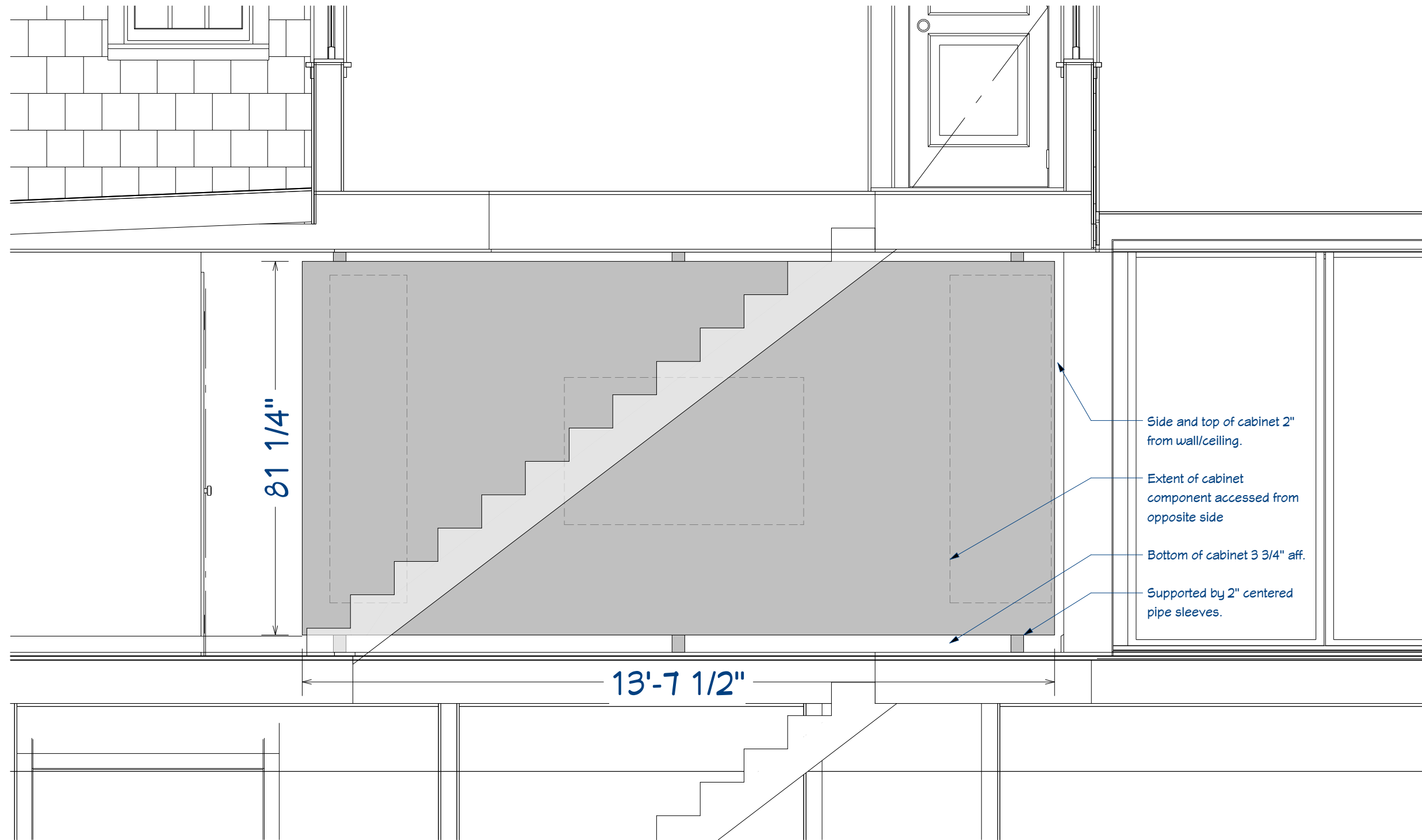
DATE:

4/6/2020

SCALE:

SHEET:

A-401



Section 1 Detail: For Cabinet as viewed from Kitchen

Scale: 1" = 1'

Recent Revision History

REV	DATE	DESCRIPTION
1.5	5/23/19	Stairs deck, library, stairs
1.6	5/25/19	Stairs section, library cabinet elev.
1.7	6/15/19	Lib Cab K/L/Lets, Stair Framing
1.8	6/20/19	Master Deck, Details, BBR
1.9	6/25/19	Fireplaces
2.0	6/27/19	Lighting Changes, Track detail

Design:
Webb Builders, Inc.
 516-482-9502

Engineering:
TBD
 xxx-xxx-xxxx

McSweeney Residence
Shop Drawings

Title:
Library Cabinet Back Elevation

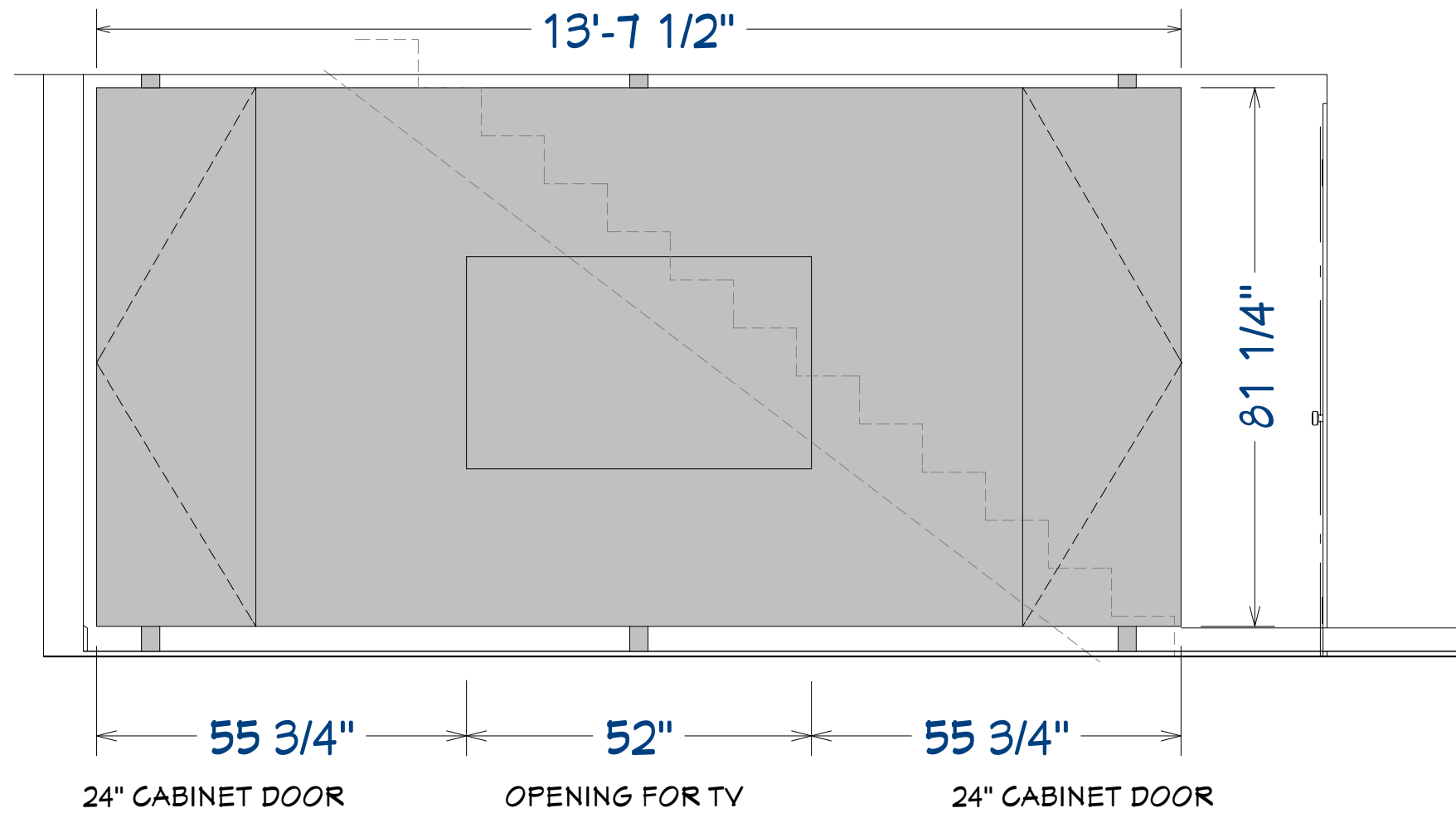
DATE:

4/6/2020

SCALE:

SHEET:

A-402



Elevation 1 - Cabinet as viewed from Library

Scale: 1" = 1'

Recent Revision History

REV	DATE	DESCRIPTION
1.5	5/23/19	Stairs deck, library, stairs
1.6	5/25/19	Stairs section, library cabinet elev.
1.7	6/15/19	Lib Cab K/L/Lets, Shop Framing
1.8	6/20/19	Master Deck, Details, BBR
1.9	6/25/19	Fireplaces
2.0	6/27/19	Lighting Changes, Track detail

Design:
Webb Builders, Inc.
 516-482-9502

Engineering:
TBD
 xxx-xxx-xxxx

McSweeney Residence
Shop Drawings

Title:
Library Cabinet Front
Elevation

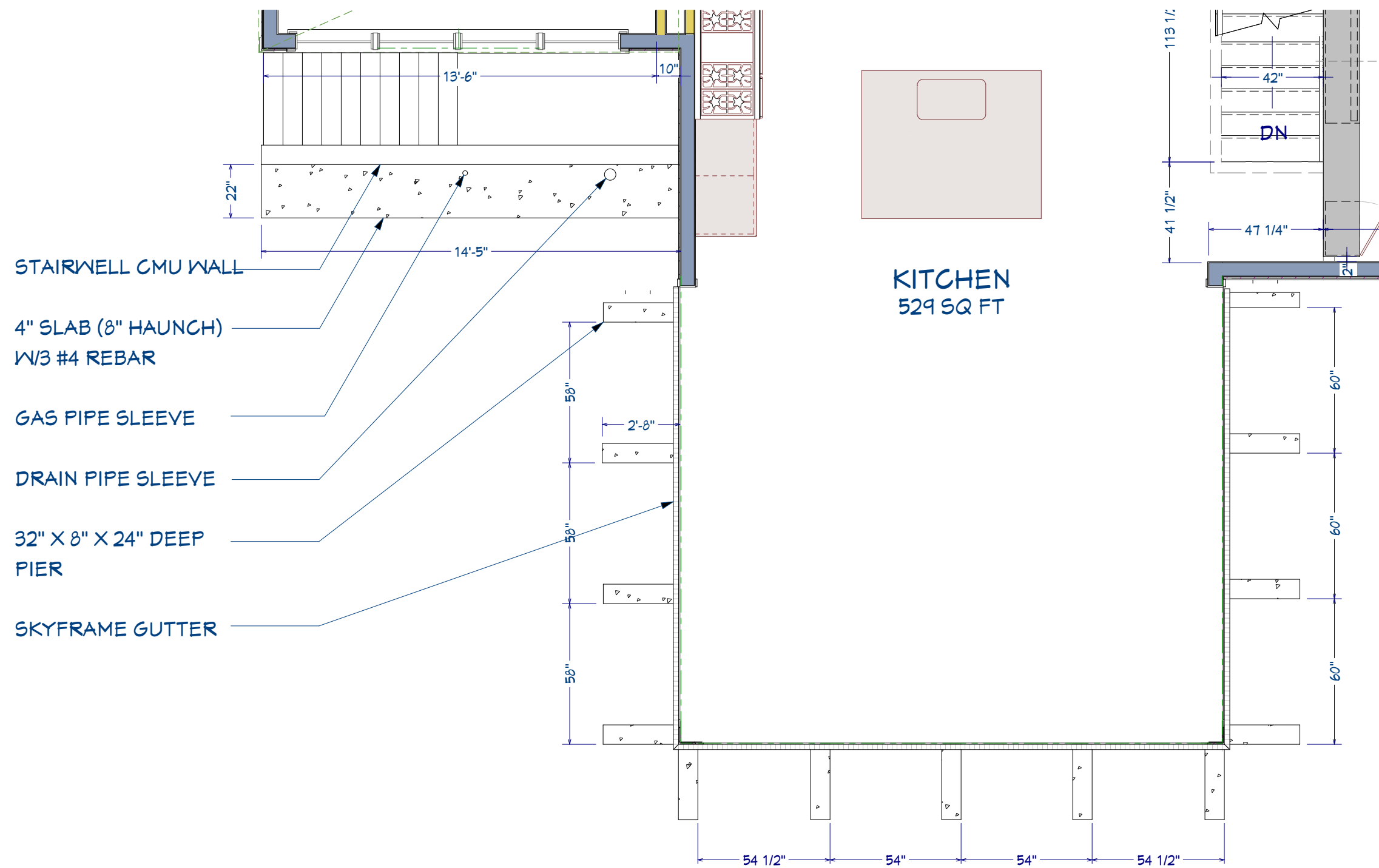
DATE:

4/6/2020

SCALE:

SHEET:

A-403



STAIRWELL CMU WALL

4" SLAB (8" HAUNCH)
W/3 #4 REBAR

GAS PIPE SLEEVE

DRAIN PIPE SLEEVE

32" X 8" X 24" DEEP
PIER

SKYFRAME GUTTER

KITCHEN
529 SQ FT

Steps & BBQ Slab and Pier Plan

Scale: 1/2" = 1'

REV	DATE	DESCRIPTION
1.5	5/23/19	Steps, deck, library, stairs
1.6	5/25/19	Stairs section, library cabinet elev.
1.7	6/15/19	Lip Cab, KILL, Lgs, Step Framing
1.8	6/20/19	Master Deck, Details, BBR
1.9	6/25/19	Fireplaces
2.0	6/27/19	Lighting Changes, Track detail

Design:
Webb Builders,
Inc.
516-482-9502

Engineering:
TBD
xxx-xxx-xxxx

McSweeney Residence
Shop Drawings

Kitchen Steps
Foundation

Title:

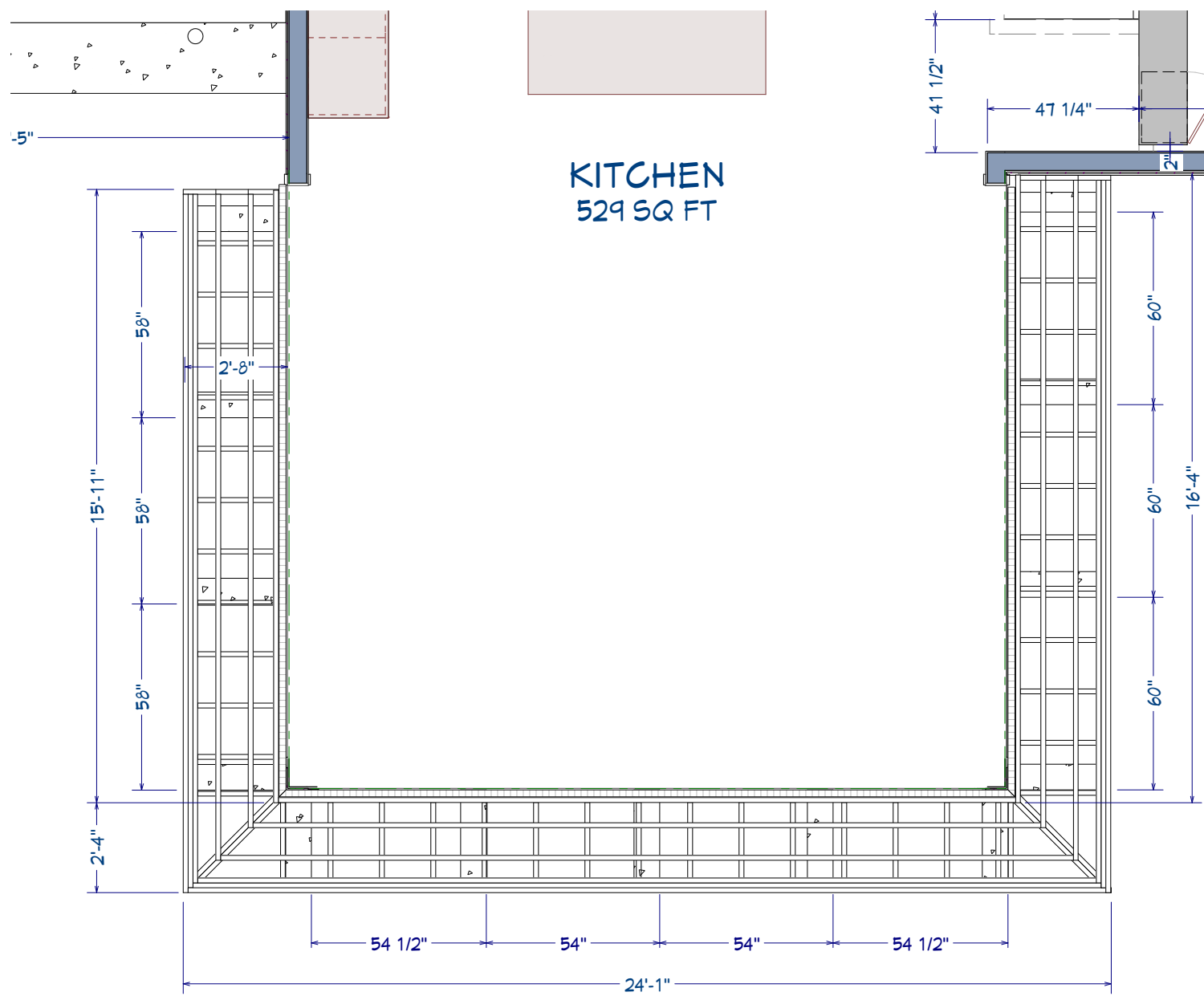
DATE:

4/6/2020

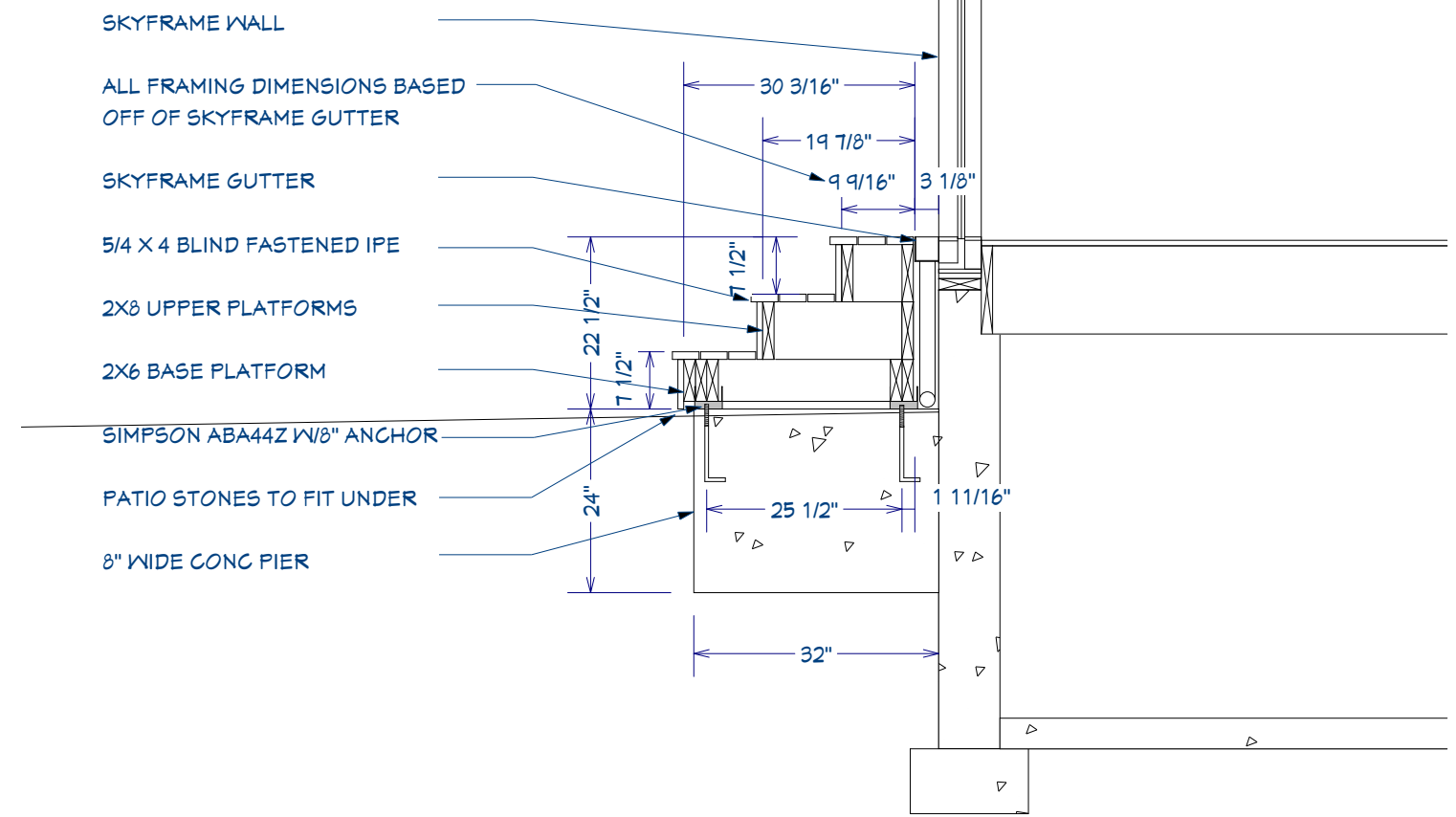
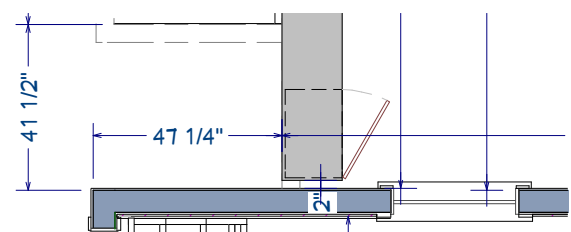
SCALE:

SHEET:

A-404



Step Framing Plan Scale: 1/2" = 1'



Detail 1: Kitchen Steps Scale: 1" = 1'

KITCHEN
529 SQ FT

REV	DATE	DESCRIPTION
1.5	5/23/19	Steps, deck, library, stairs
1.6	5/25/19	Stairs section, library cabinet elev.
1.7	6/15/19	Lip Cab. KILL, Stairs, Step Framing
1.8	6/20/19	Master Deck, Details, BBR
1.9	6/25/19	Fireplaces
2.0	6/27/19	Lighting Changes, Track detail

Design:
Webb Builders,
Inc.
516-482-9502

Engineering:
TBD
xxx-xxx-xxxx

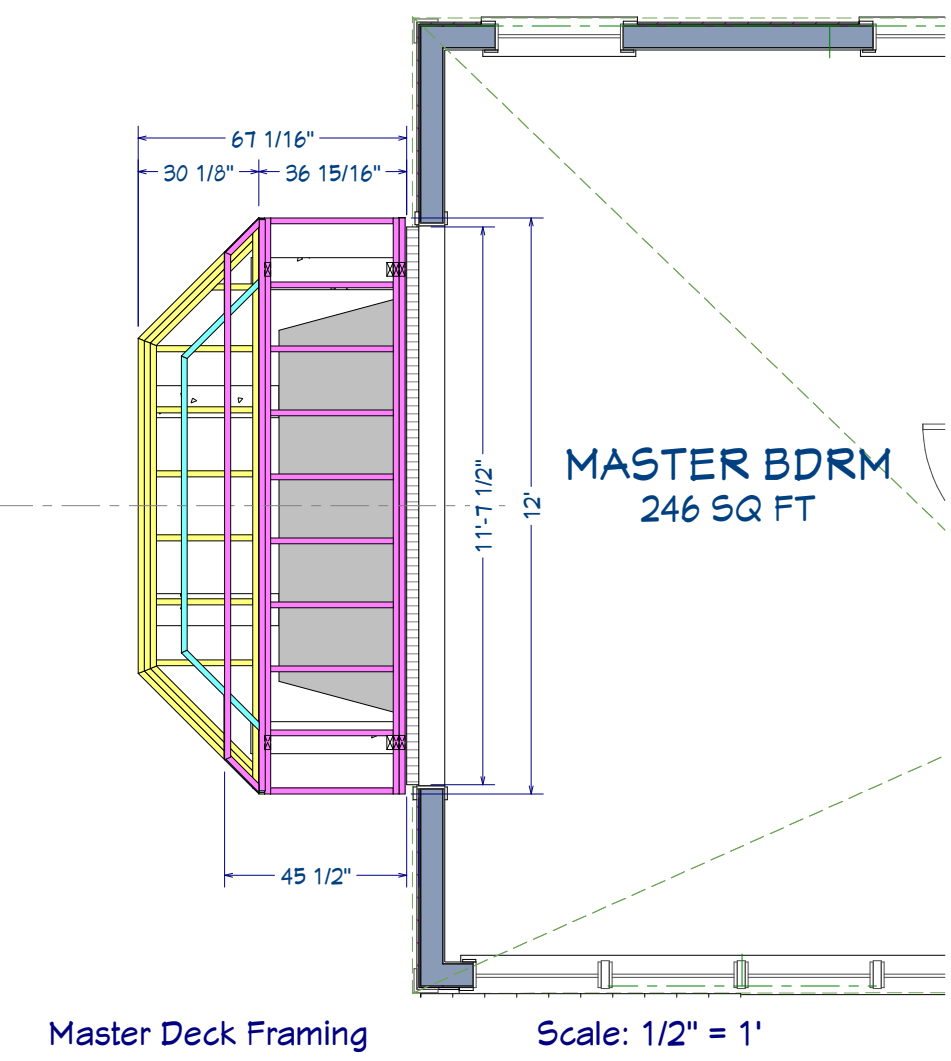
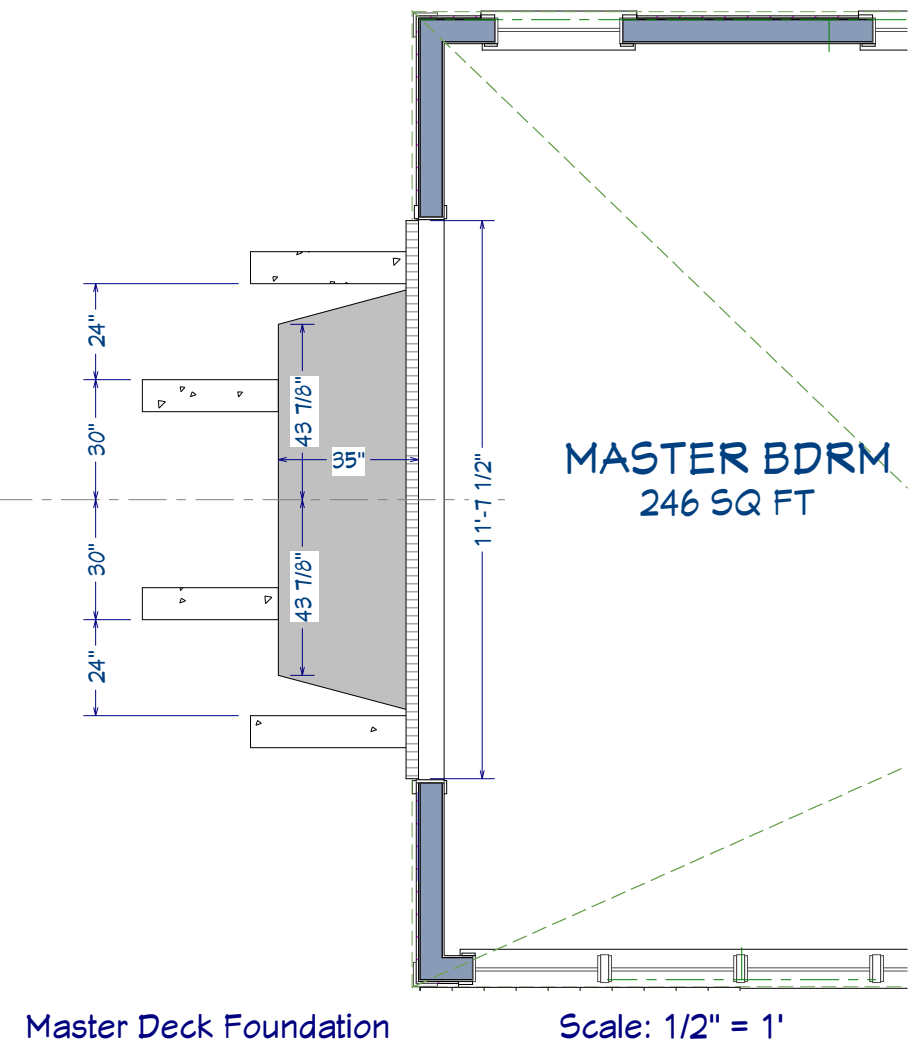
McSweeney Residence
Shop Drawings

Title:
Kitchen Step Framing

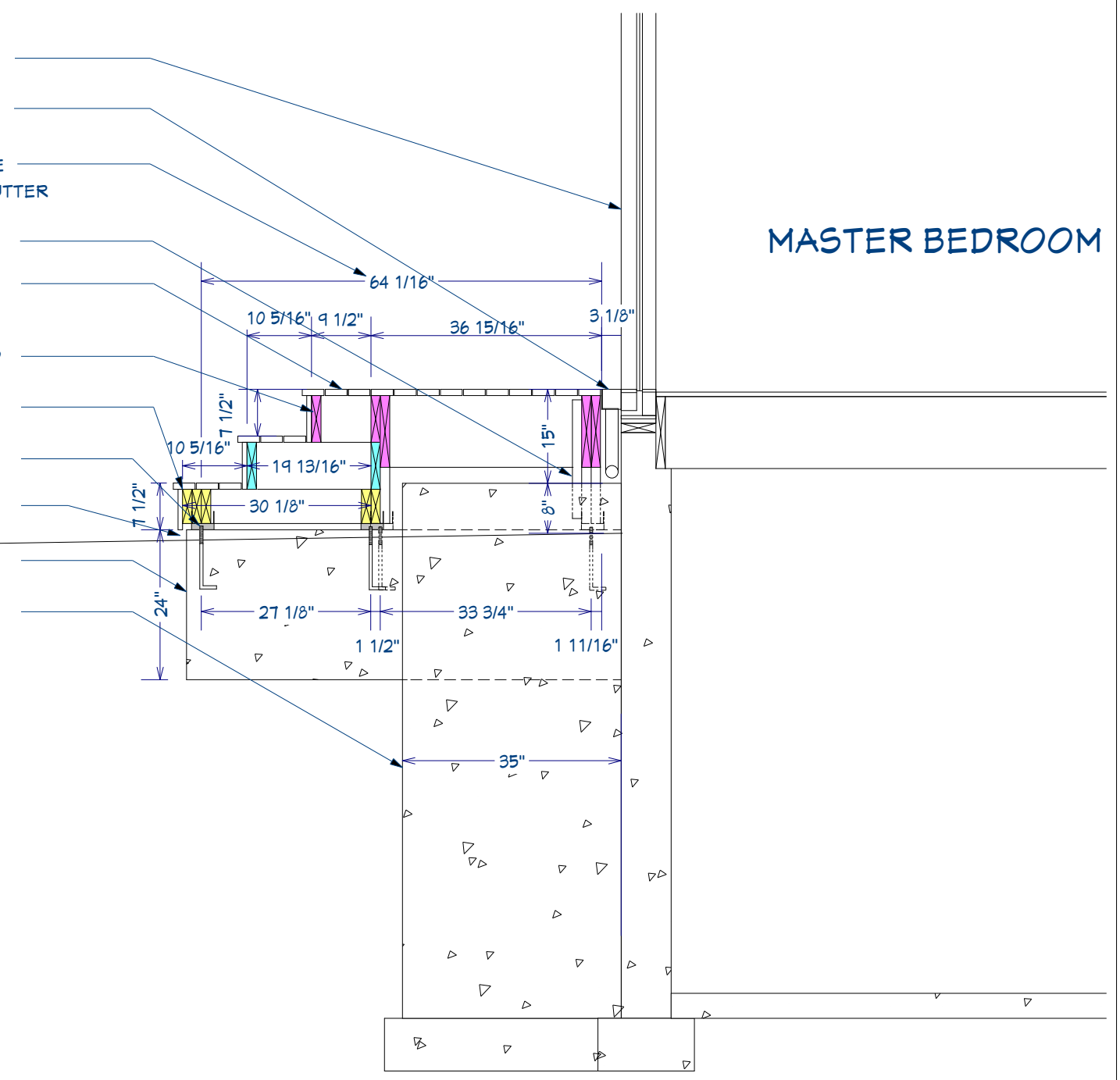
DATE:
4/6/2020

SCALE:

SHEET:
A-405



- SKYFRAME WALL
- SKYFRAME GUTTER
- ALL FRAMING DIMENSIONS ARE BASED OFF THE SKYFRAME GUTTER
- 2 X 4 POSTS AND STIFFENER
- 5/4 X 4 BLIND FASTENED IPE
- 2X8 & 2X12 UPPER PLATFORMS
- 2X6 BASE PLATFORM
- SIMPSON ABA44Z
- PATIO STONES TO FIT UNDER
- 8" WIDE CONC PIER
- EXISTING FOUNDATION



All dimensions to be verified in field

Note: 100% scale when printed on ARCH D. 50% scale on ARCH B.

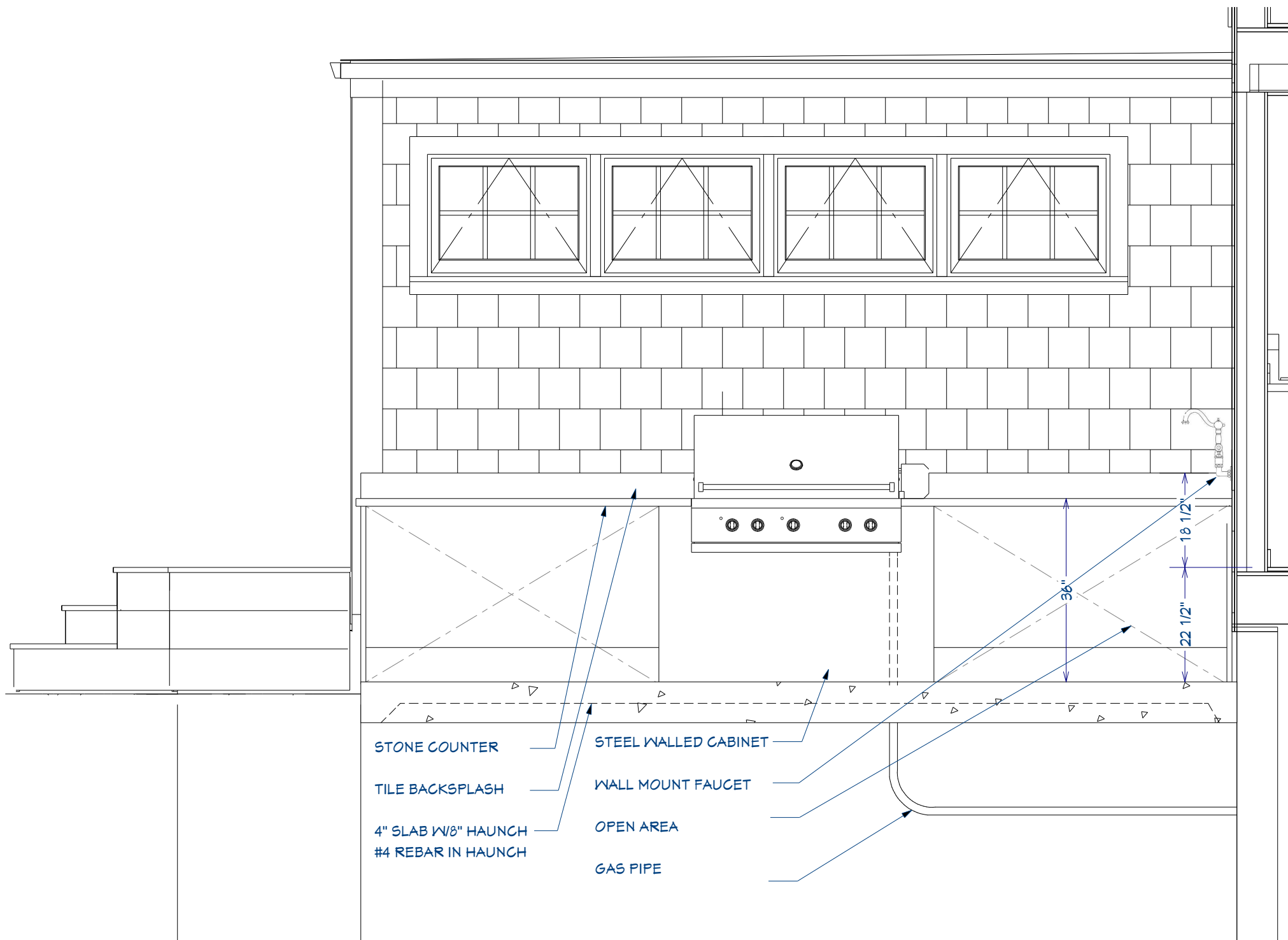
REV	DATE	DESCRIPTION
1.5	5/23/19	Stairs deck, library, stairs
1.6	5/25/19	Stairs section, library cabinet elev.
1.7	6/15/19	Lip Cab KILL, Lgs, Stair Framing
1.8	6/20/19	Master Deck, Details, BBR
1.9	6/25/19	Fireplaces
2.0	6/27/19	Lighting Changes, Track detail

Engineering: TBD
Design: Webb Builders, Inc.
516-482-9502

McSweeney Residence
Shop Drawings

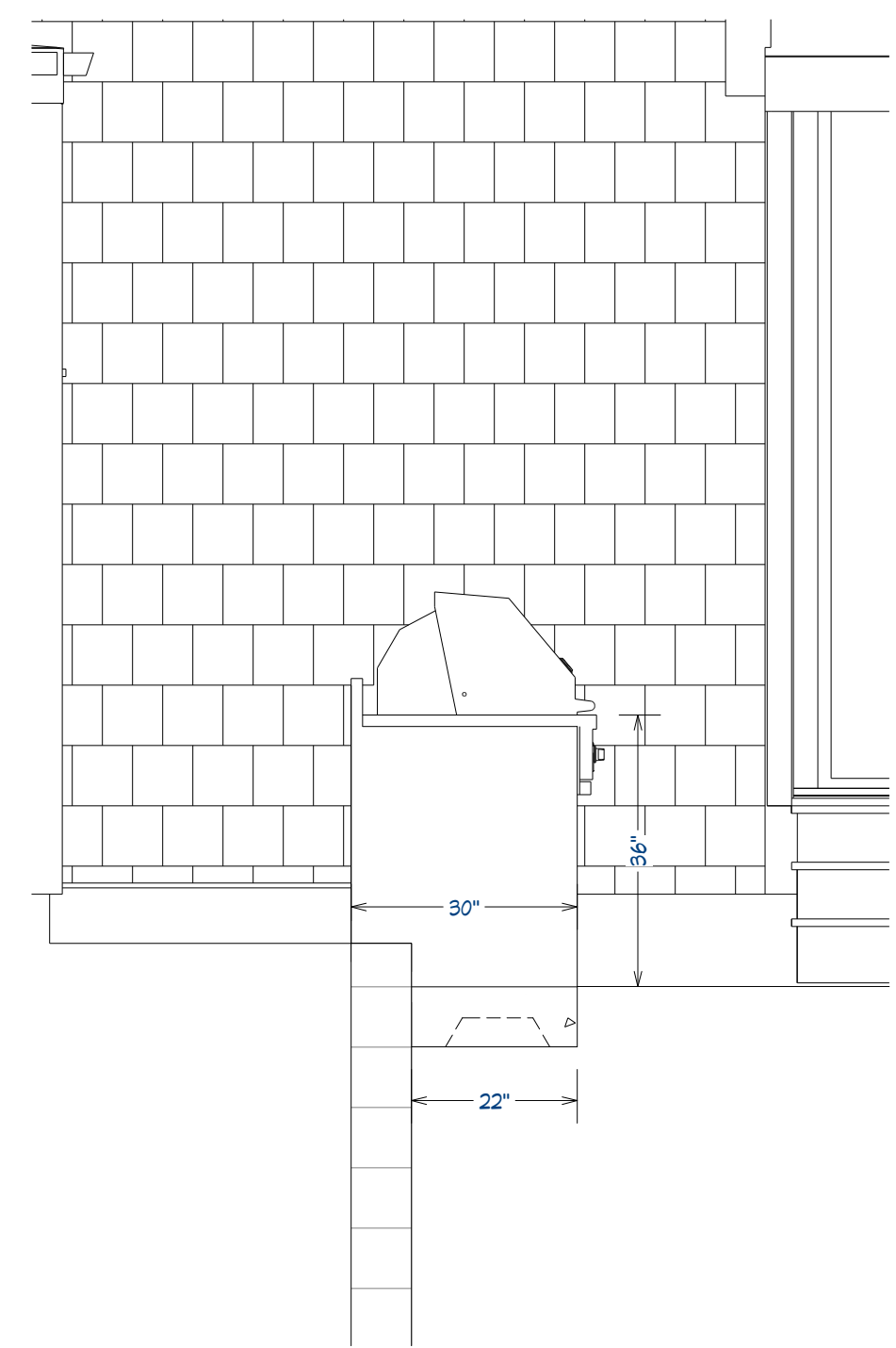
Master Deck Details

DATE: 4/6/2020
SCALE:
SHEET: A-406



- STONE COUNTER
- TILE BACKSPLASH
- 4" SLAB W/8" HAUNCH
#4 REBAR IN HAUNCH
- STEEL WALLED CABINET
- WALL MOUNT FAUCET
- OPEN AREA
- GAS PIPE

BBQ Front Elevation Scale: 1" = 1'



BBQ Side Elevation Scale: 1" = 1'

Recent Revision History

REV	DATE	DESCRIPTION
1.5	5/23/19	Stairs deck, library, stairs
1.6	5/25/19	Stairs section, library cabinet elev.
1.7	6/15/19	Lip Cab, KIL, Lbs, Slab Framing
1.8	6/20/19	Master Deck, Details, BBQ
1.9	6/25/19	Fireplaces
2.0	6/27/19	Lighting Changes, Track detail

Design:
Webb Builders, Inc.
 516-482-9502

Engineering:
TBD
 xxx-xxx-xxxx

McSweeney Residence
Shop Drawings

BBQ Elevations

Title:

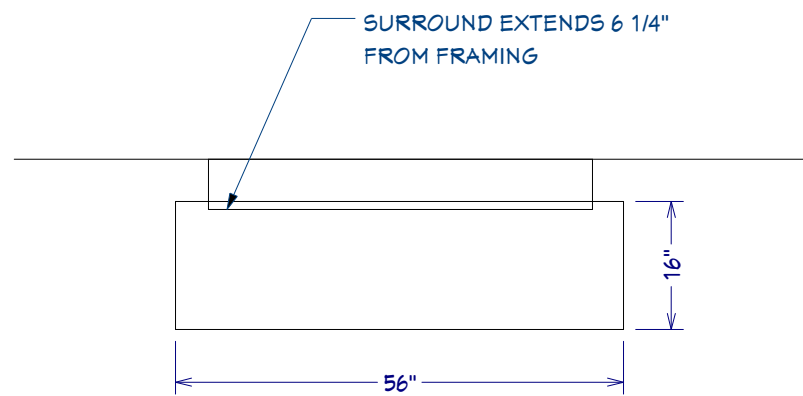
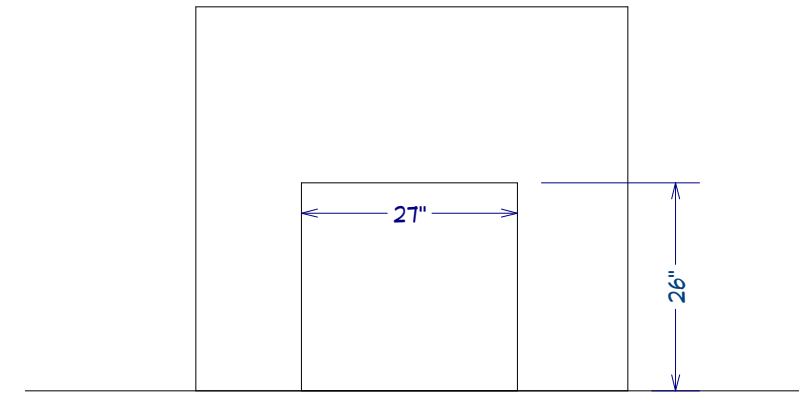
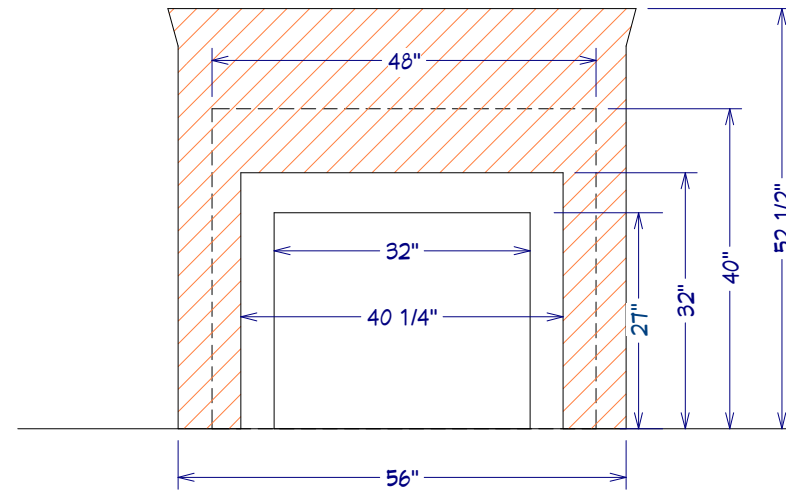
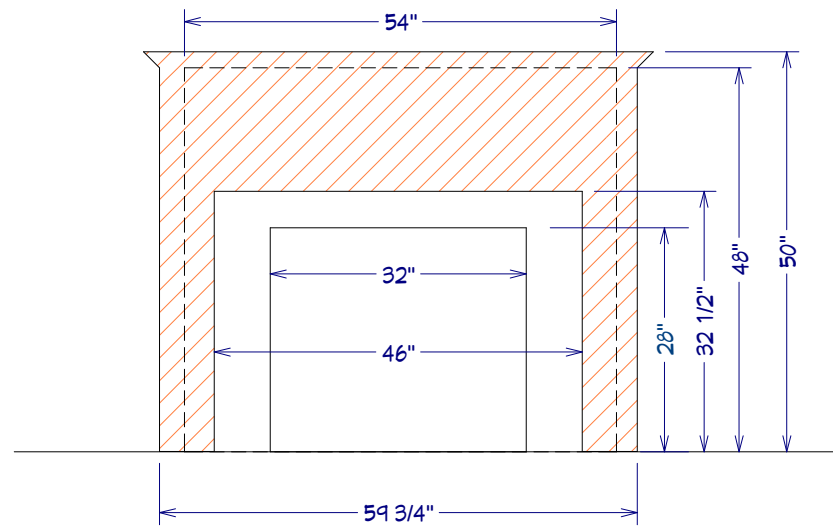
DATE:

4/6/2020

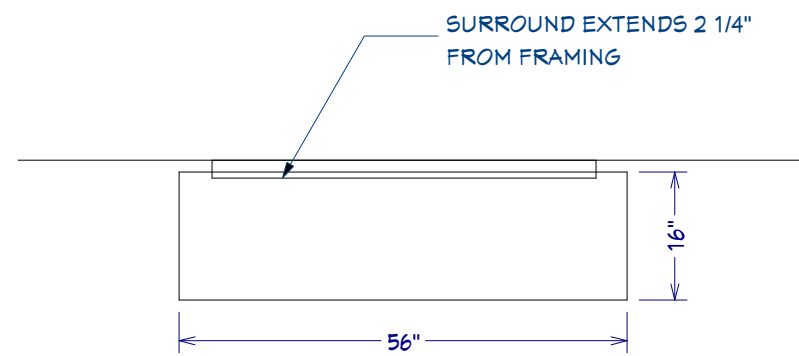
SCALE:

SHEET:

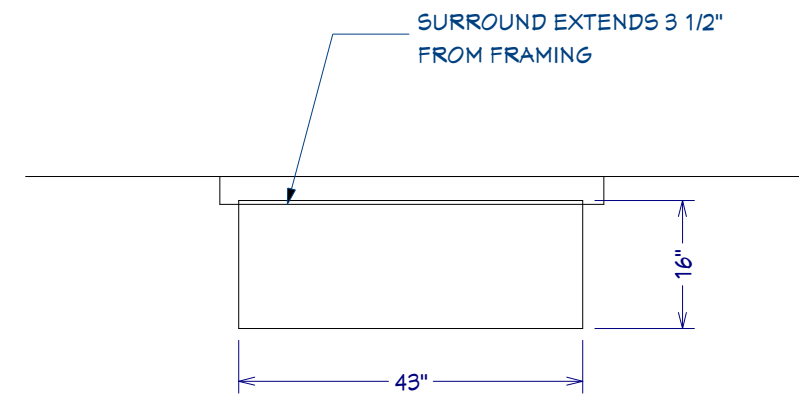
A-407



LIVING RM



LIBRARY



WILEY'S RM

Fireplaces

Scale 1" = 1'

REV	DATE	DESCRIPTION
1.5	5/23/19	Stairs deck, library, stairs
1.6	5/25/19	Stairs section, library cabinet elev.
1.7	6/15/19	LIP Cab KILL, Lbs, Stair Framing
1.8	6/20/19	Master Deck, Details, BBR
1.9	6/25/19	Fireplaces
2.0	6/27/19	Lighting Changes, Track detail

Design: **Webb Builders, Inc.**
 516-482-9502

Engineering: **TBD**
 xxx-xxx-xxxx

McSweeney Residence
Shop Drawings

Title: **Fireplaces**

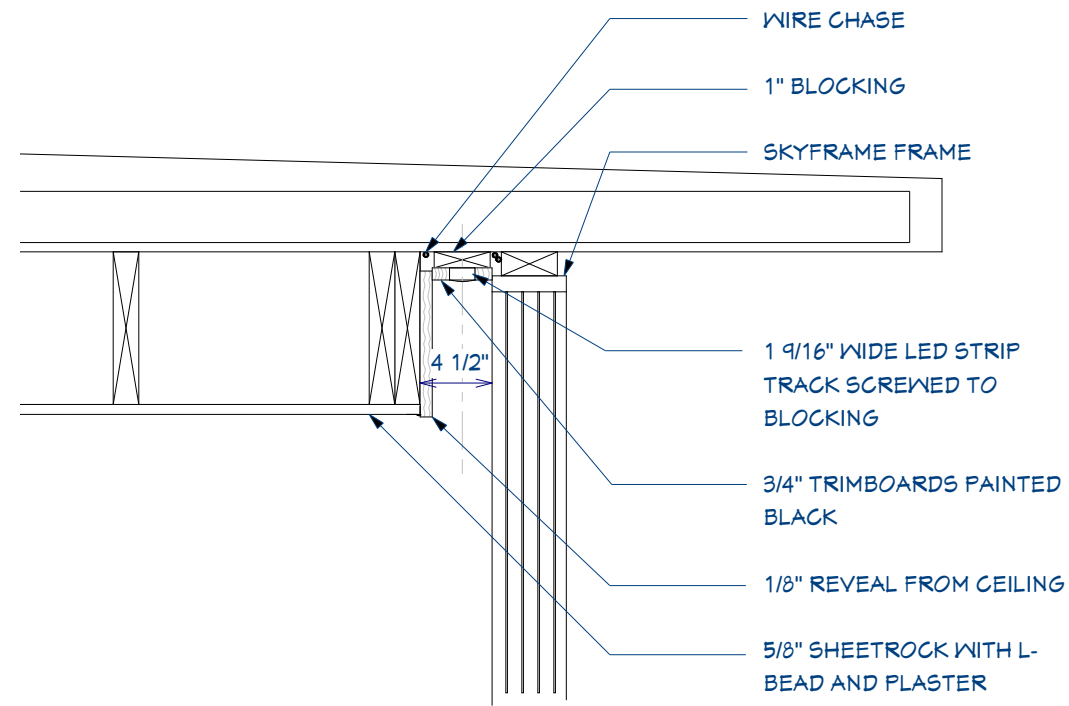
DATE:

4/6/2020

SCALE:

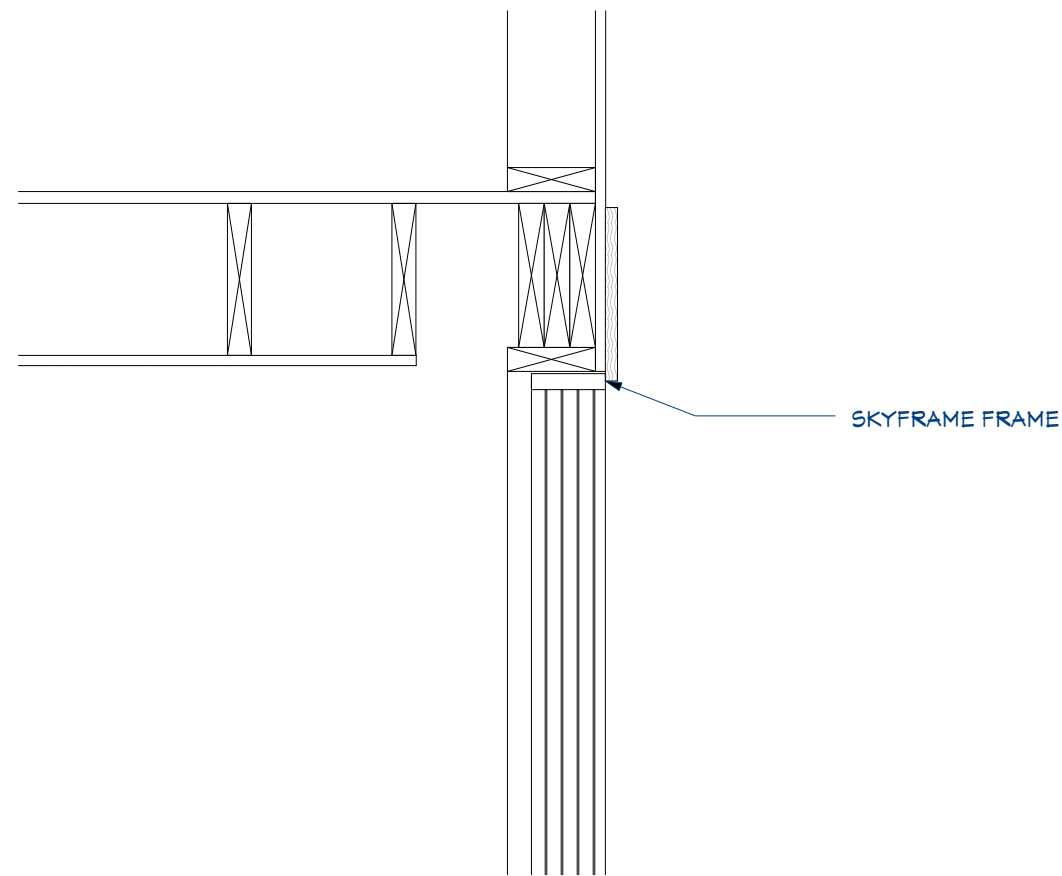
SHEET:

A-408



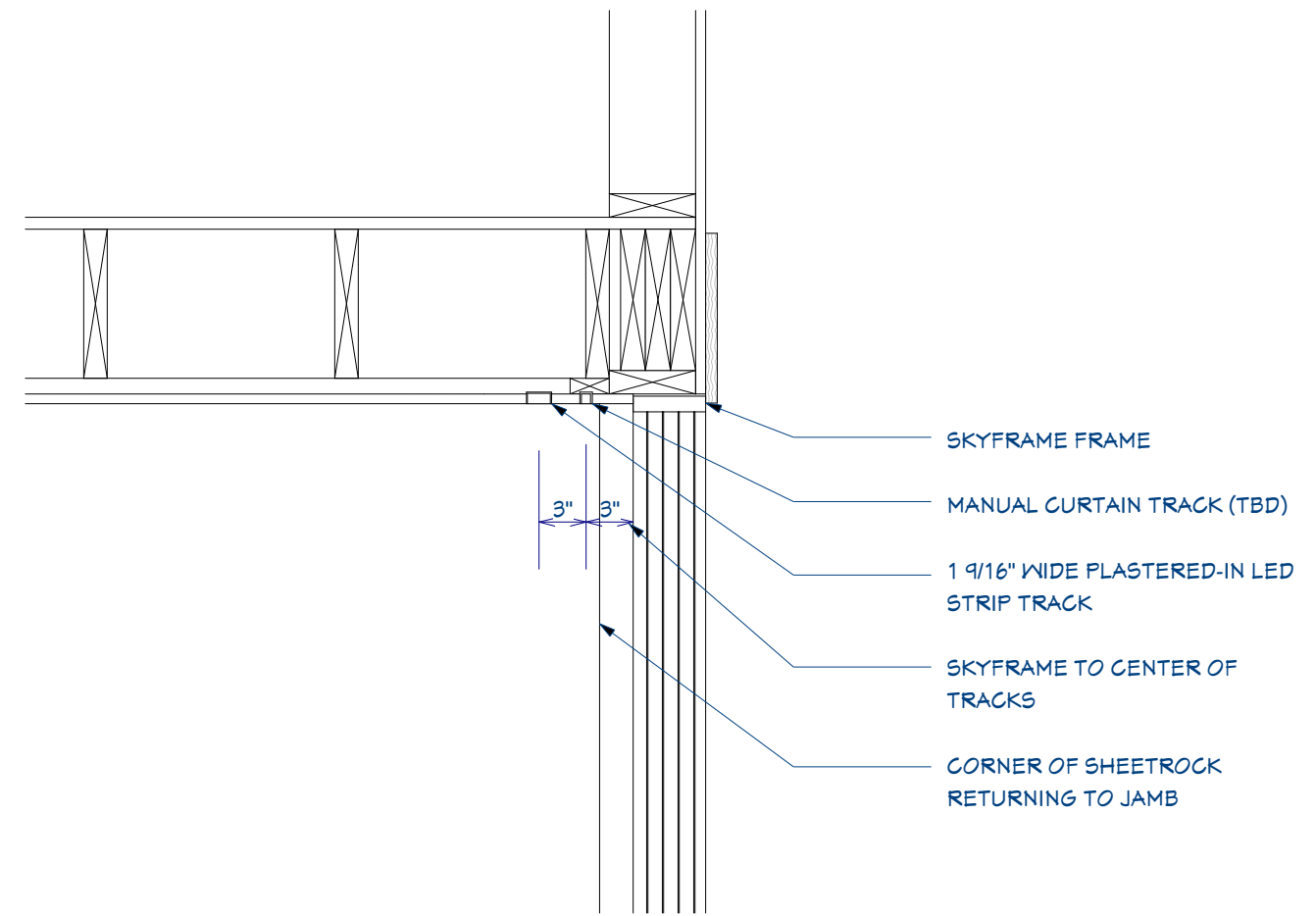
Detail 1 - Kitchen Track Pocket

Scale: 2" = 1'



Detail 2 - MBdrm Track Pocket

Scale: 2" = 1'



Detail 3 - Living Rm Recessed Tracks

Scale: 2" = 1'

Recent Revision History

REV	DATE	DESCRIPTION
1.5	5/23/19	Stairs deck, library, stairs
1.6	5/25/19	Stairs section, library cabinet elev.
1.7	6/15/19	LIP Cab. KILL, Lbs. Stair Framing
1.8	6/20/19	Master Deck, Details, BBR
1.9	6/25/19	Fireplaces
2.0	6/27/19	Lighting Changes, Track detail

Engineering:

TBD
xxx-xxx-xxxx

Design:

Webb Builders,
Inc.
516-482-9502

McSweeney Residence
Shop Drawings

Title:
Track & Pocket Details

DATE:

4/6/2020

SCALE:

SHEET:

A-409